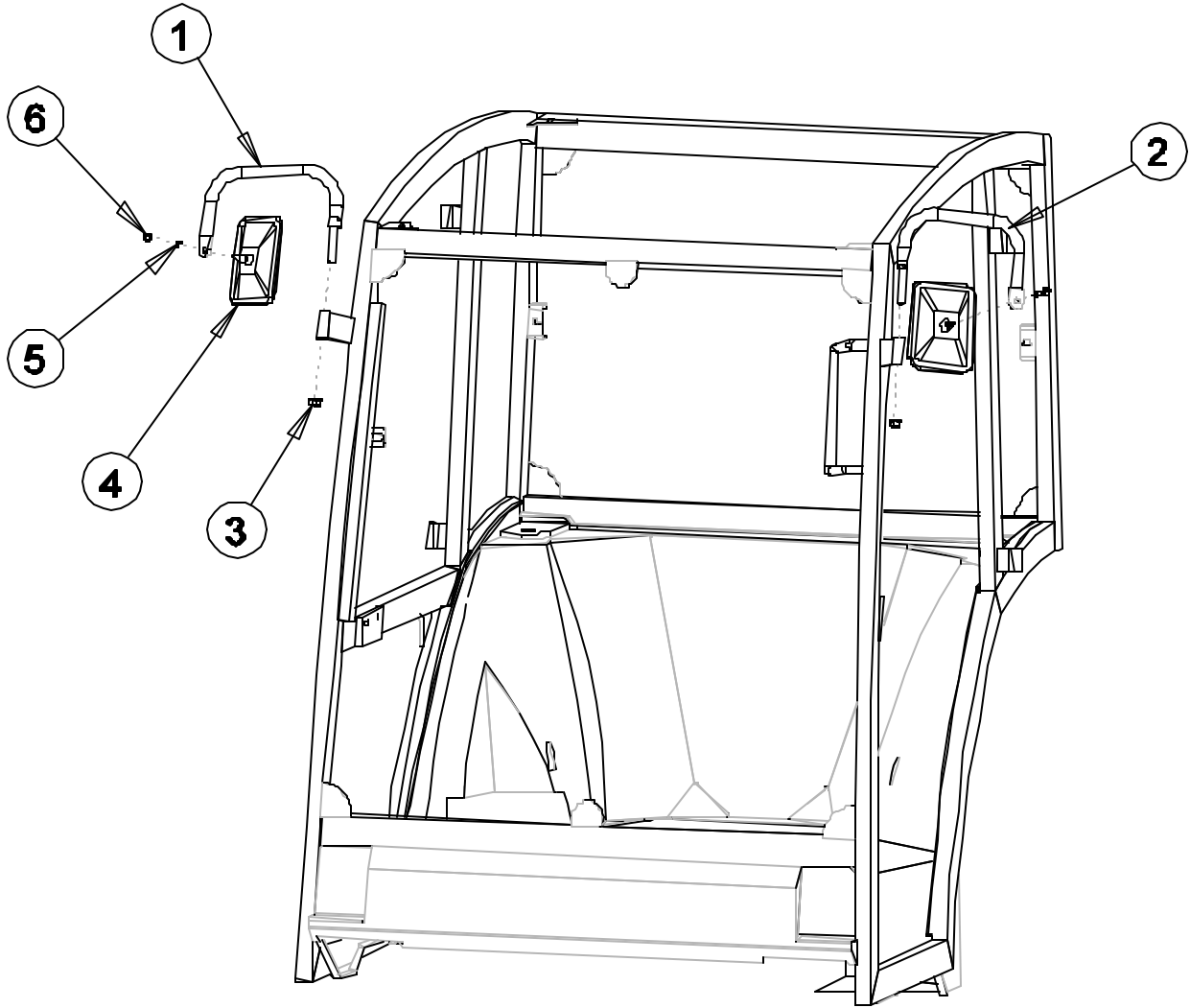


## Exterior Mirrors (800094) Installation



Item #	JDP Part #	Description	Qty
1	100439	Mirror Bracket Mount, Right	1
2	100438	Mirror Bracket Mount, Left	1
3	101224	1/2" Lock Nut, Crimped	2
4	100440	Outside Mirror, Convex	2
5	N/A	1/4" Lock Washer (Included with mirror)	2
6	N/A	1/4" Nut (Included with mirror)	2

1. Verify that all parts listed left match what was received.
2. Insert mirror brackets (1 & 2) into brackets on cab and fasten with 1/2" lock nut (3).
3. Remove 1/4 nut (6) and 1/4 lock washer (5) from mirrors. Install mirror (4) on mirror brackets using the included nut and lock washer.