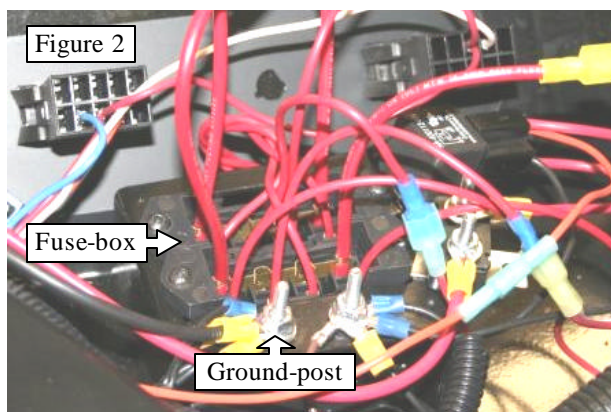
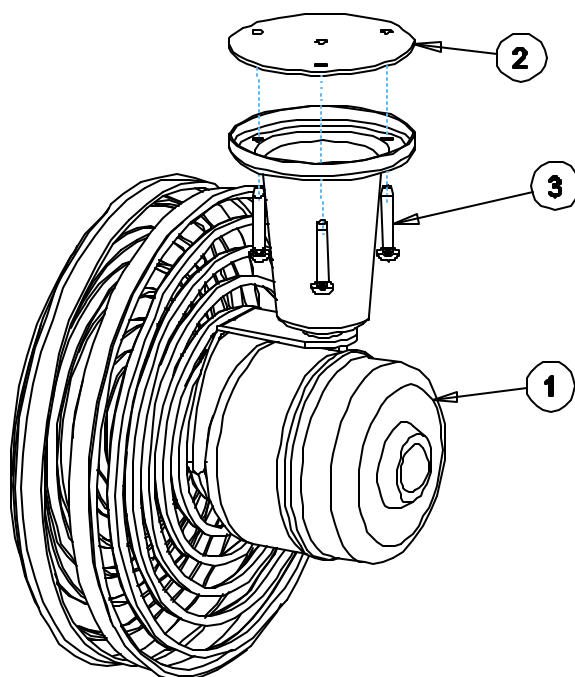


Defrost Fan (800096) Installation

Item #	JDP Part #	Description	Qty
1	101179	Defrost Fan	1
2	N/A	Rubber Seal (Included with fan)	1
3	100409	Screw, PH, #8 x 1", Macro-black	3
4	100483	Defrost Harness	1

1. Verify that all parts listed above match what was received.
2. Locate the bolts on top of the roof. Remove bolts. Remove roof from cab.
3. Drill a 1/2" hole in the roof liner for the wiring to go through **CAUTION: make sure that there are no wires or hoses that will interfere with drilling.** See Figure 1 for recommended fan location.



4. Install the fan (1) on the roof liner (Rotate the switch to desired location) using 3—#8 x 1" screws (3).
5. Crimp harness wires onto fan wires (Red to red & black to black)
6. Unplug the dome-light power-wire from the fuse-box. See Figure 2 for fuse-box location.
7. Plug power-wire from fan into fuse box.
8. Plug power-wire from dome-light into fan-power-pigtail.
9. Screw ground wire onto ground-post. See Figure 2 for ground-post location.
10. Re-install roof.