

JDP
BUILT FOR LIFE

Parts List
&
Mounting
Instructions

250
Ransomes ROPS

250 Ransomes ROPS Parts List

BRACKETS,SHIELDS,ETC.:

Item	Qty	Description
3	L&R	Front brackets
2	L&R	Rear brackets
1	2	Rear bracket spacers

HARDWARE:

Qty	Description
4	12x40x1.75mm Hex bolts (gr.5)
6	3/8" Flatwashers
6	3/8"x1 1/2" Hex bolts (gr.5)
6	3/8" Lock Nuts (gr.5)
4	1/2" Flatwashers
4	1/2"x2" Hex bolts (gr.8)
4	1/2"x3" Hex bolts (gr.8)
8	1/2" Hex nuts (gr.8)
8	1/2" Lockwashers
4	9/16"i.d.-2 1/2"o.d. Flatwashers

MISCELLANEOUS:

Item	Qty	Description
**	4	9/16"i.d.-2 1/2"o.d. Rubber flatwashers
**	4	9/16"i.d.-3"o.d. Rubber mounts
4	1	Seat belt kit

250 Ransomes ROPS Mounting Instructions

1. Remove the 2-post ROPS and upper steps. Tilt the seat plate open.
2. Take one of the rear bracket spacers (1) and position it against the two-hole bolt pattern in the right frame rail, below the engine fire wall. Take the right rear bracket (2) and position it against the spacer, with the ROPS mounting plate towards the rear and outside. Loosely bolt the bracket, through the spacer, to the rail using the $\frac{1}{2}$ "x2" hex bolts, hex nuts, lockwashers, and flatwashers supplied. ENSURE the flat washer is against the inside of the rail (see Figure 1).

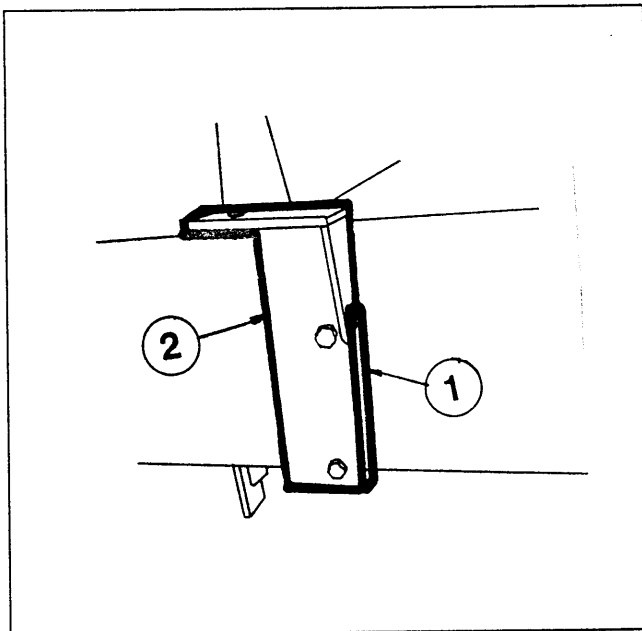


Figure 1

3. Repeat step 2 for the left rear bracket.
4. Remove the hardware used to fasten the fuel tank to the chassis. Move the fuel tank slightly to the rear and outside.
5. Locate the 12x30mm factory hex bolts used to fasten the lower portion of the

front platform to the left and right frame rails and remove.

6. Take the left front bracket (3) and position it against the two-hole bolt pattern in step 5, with the ROPS mounting plate towards the front and outside. Loosely bolt the bracket to the chassis using the 12x40x1.75mm hex bolts supplied, and factory lock nuts removed in step 5 (see Figure 2).

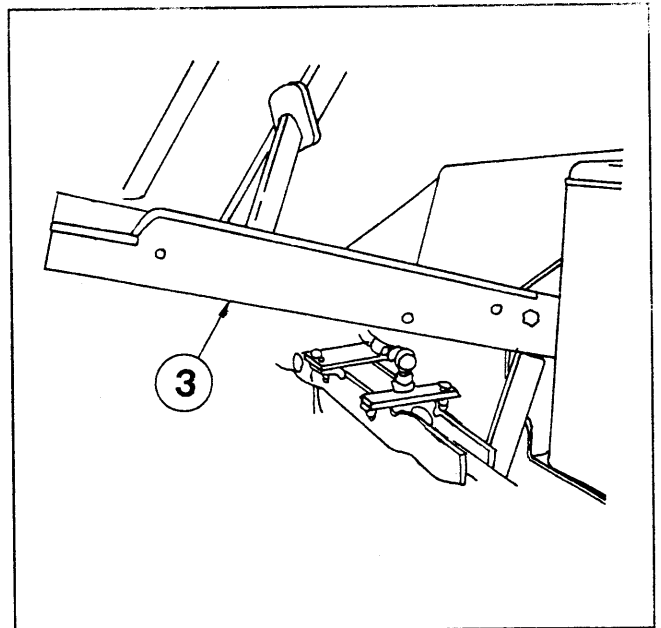


Figure 2

7. Locate the hole near the front of the left front bracket (3). Using the hole as a guide, drill a $\frac{7}{16}$ " dia. hole through the front platform (see Figure 2).
8. Repeat steps 6 and 7 for the right front bracket.
9. Re-bolt the fuel tank to the chassis.
10. *Now You Are Ready To Mount The Cab.* Place one rubber mount on each ROPS mounting plate of the front and

NOTE:

All references to left and right are taken from the operator's point of view when he/she is sitting in the seat.

250 Ransomes ROPS Mounting Instructions

rear brackets. Lift the ROPS, using the lift bolts located near the roof, directly above the unit. Slowly, lower the ROPS until the ROPS mounts rest solidly on the rubber mounts. Bolt the ROPS snugly to the front and rear brackets as shown in Figure 3

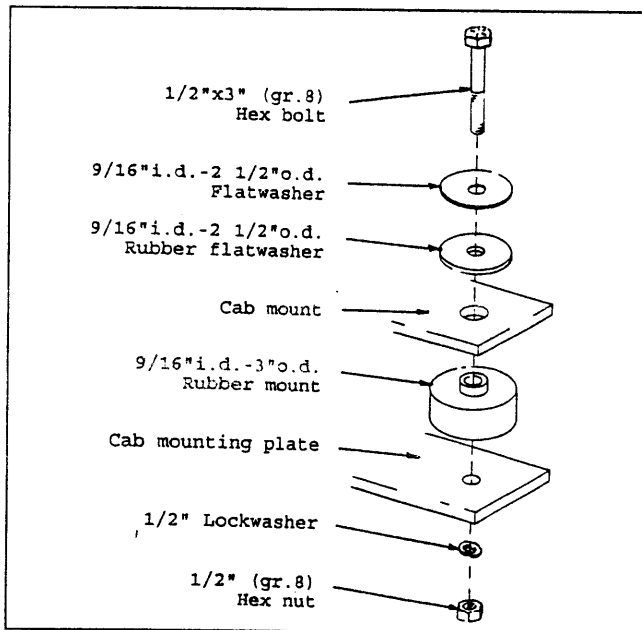


Figure 3

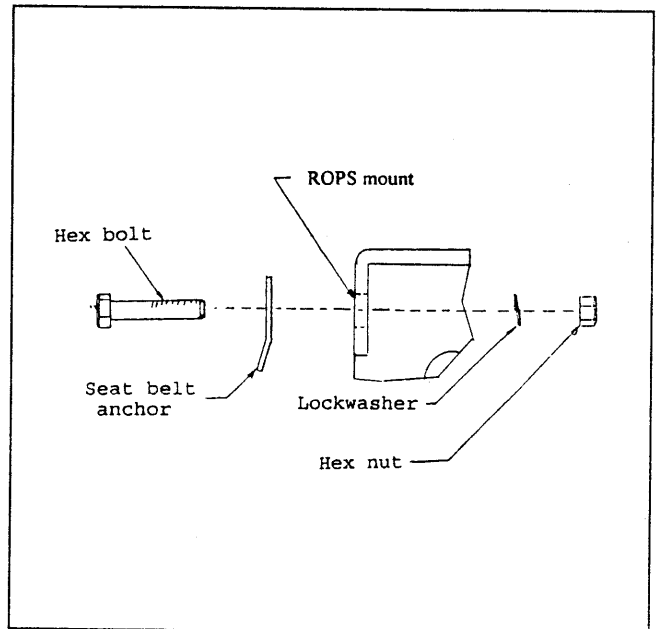


Figure 4

11. Tighten all front and rear bracket bolts.
If the ROPS is equipped with the golf ball protection kit, remove the side shipping brackets.
12. Locate the 7/16" dia. hole in the left, rear ROPS mount support. Take one of the seat belt (4) anchors and position it against the inside of the support as shown in Figure 4. Bolt the anchor to the support using the seat belt hardware provided.
13. Repeat step 12 for the right side.

NOTE:

All references to left and right are taken from the operator's point of view when he/she is sitting in the seat.