

**JDP**

**BUILT FOR LIFE**

**PARTS LIST  
&  
MOUNTING  
INSTRUCTIONS**

**723D , 725 , 728D  
Ransomes ROPS**

# 723D, 725, 728D RANSOMES ROPS PARTS LIST

## BRACKETS, SHIELDS, ETC. :

Item	Qty	Description
4	L&R	Front brackets
3	L&R	Front bracket supports
5	1	Mower stabilizer bracket
1	L&R	Rear brackets
2	2	Rear bracket supports

## HARDWARE :

Qty	Description
4	3/8"x1" Hex bolts (gr.5)
4	3/8" Whiz nuts (gr.5)
4	1/2"x1" Hex bolts (gr.5)
8	1/2"x1 1/2" Hex bolts (gr.8)
4	1/2"x3" Hex bolts (gr.8)
16	1/2" Hex nuts (gr.8)
8	1/2" Flatwashers
16	1/2" Lockwashers
4	9/16"i.d.-2 1/2"o.d. Flatwashers

## MISCELLANEOUS :

Item	Qty	Description
**	4	9/16"i.d.-2 1/2"o.d. Rubber flatwashers
**	4	9/16"i.d.-3"o.d. Rubber mounts
6	1	Seat belt kit

# 723D, 725, 728D RANSOMES ROPS MOUNTING INSTRUCTIONS

1. Remove the 2-post ROPS.
2. Take the left rear bracket (1) and position it against the two-hole bolt pattern in the chassis, directly behind the fuel tank. ENSURE the two-hole bolt pattern in the bracket is towards the front. Take one of the rear bracket supports (2) and position it against the two-hole bolt pattern from the inside of the chassis. Loosely bolt the bracket, through the chassis, to the support using the 1/2"x1 1/2" hex bolts, hex nuts, and lockwashers supplied. (see Figure 1)

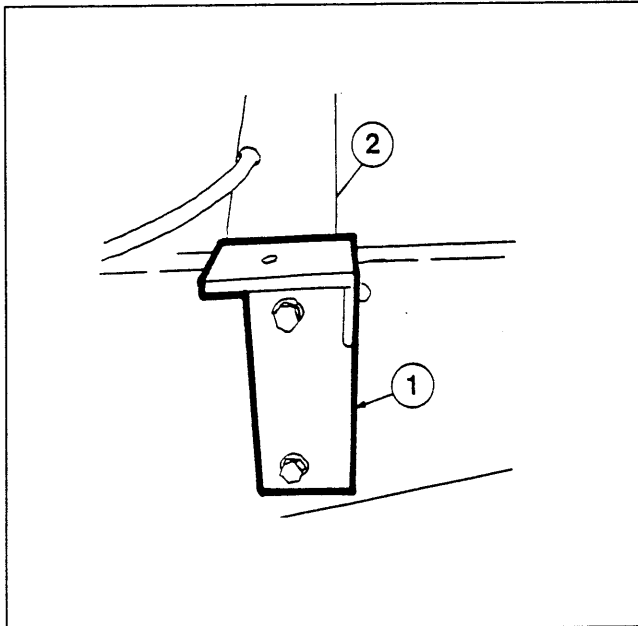


Figure 1

3. Repeat step 2 for the right rear bracket.
4. Locate the left lip of the operator foot platform. Drill two 9/16" dia. holes as indicated in Figure 2.
5. Take the left, front bracket support (3) and position it underneath the platform,

against the top, side corner. Position the support so the side hole pattern is in-line with the hole pattern from step 4, and the top, front hole is further from the side than the rear hole. (see Figure 3)

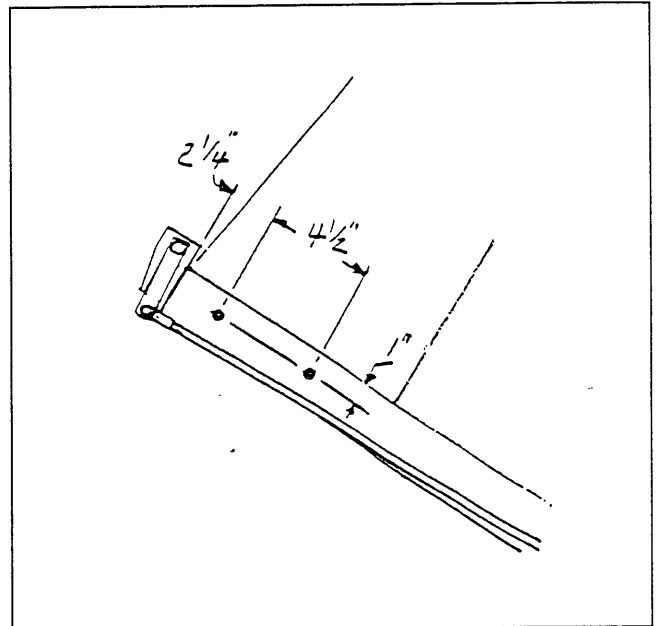


Figure 2

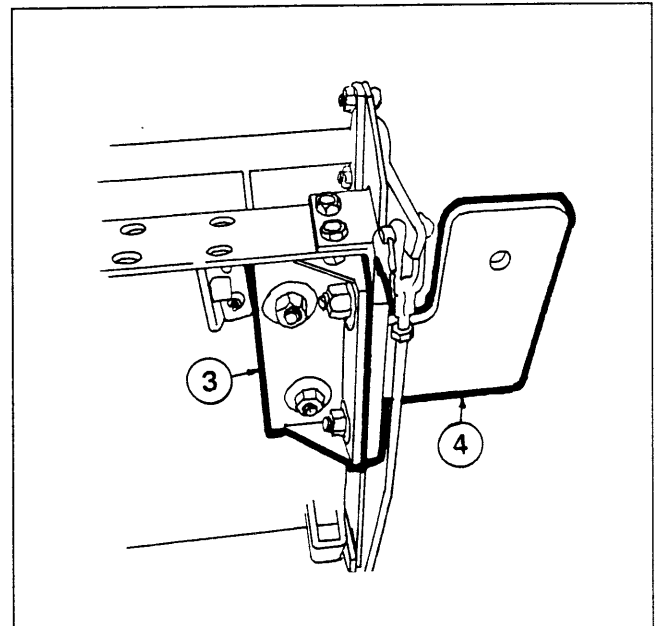


Figure 3

6. Take the left, front bracket

**NOTE:**

All references to left and right are taken from the operator's point of view when he/she is sitting in the seat.

## 723D, 725, 728D RANSOMES ROPS MOUNTING INSTRUCTIONS

(4) and position it against the outside of the hole pattern from step 4. Bolt the bracket, through the platform, to the support (3) using the 1/2"x1 1/2" hex bolts, hex nuts, flatwashers, and lockwashers provided. REMEMBER to keep the head of the bolts to the outside. (see Figure 3)

7. Locate the two holes in the top of the support (3). Using the holes as guides, drill two 9/16"dia. holes through the platform. Bolt the support to the platform using the 1/2"x1" hex bolts, hex nuts, flatwashers, and lockwashers provided. REMEMBER to keep the head of the bolts to the top. (see Figure 3)

8. Repeat steps 4-7 for the right side.
9. Lift the mower deck and remove the spring mount bracket fastened to the steering tower cover. Lower the mower deck.
10. Tilt the seat forward.

11. **NOW YOU ARE READY TO MOUNT THE ROPS.** Place one rubber mount on each ROPS mounting plate of the front and rear brackets. Lift the ROPS, using the lift bolts located near the roof, directly above the unit. Slowly, lower the ROPS until the ROPS mounts rest solidly on the rubber mounts. Bolt the ROPS snugly to the front and rear brackets as shown in Figure 4.

12. Tighten all front and rear bracket bolts. If the ROPS is equipped with the golf ball protection kit, remove the side shipping brackets.

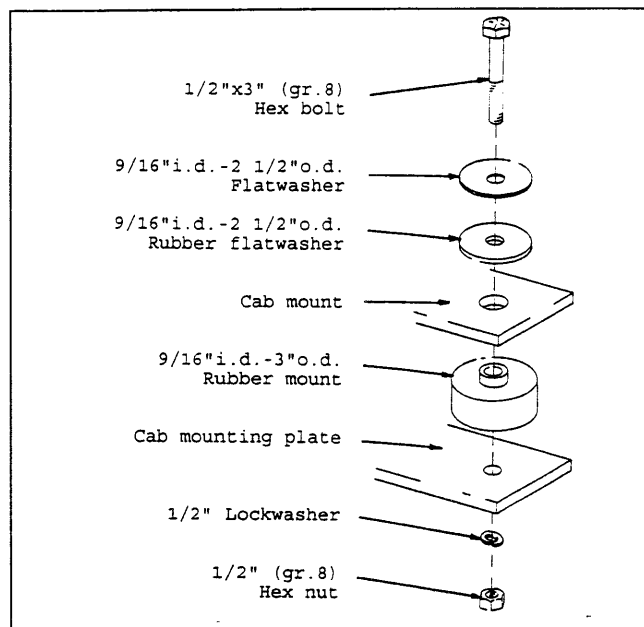


Figure 4

13. Take the mower stabilizer bracket (5) and bolt it to the mounts at the front of the ROPS using the 3/8"x1" hex bolts and whiz nuts supplied. (see Figure 5)

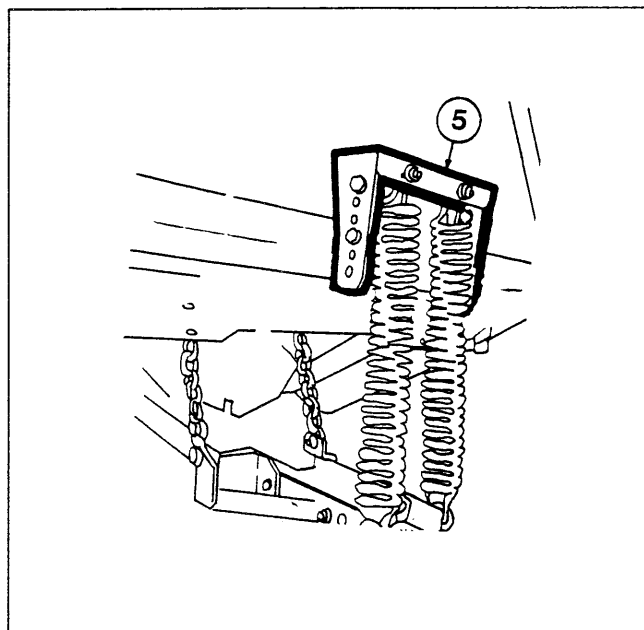


Figure 5

14. Lift the mower deck. Attach

**NOTE:**

All references to left and right are taken from the operator's point of view when he/she is sitting in the seat.

## 723D, 725, 728D RANSOMES ROPS MOUNTING INSTRUCTIONS

the mower deck springs to the mower stabilizer bracket (5) using the hardware from the spring mount bracket removed in step 9. Lower the mower deck. (see Figure 5)

15. Locate the 7/16"dia. hole in the left, rear ROPS mount support. Take one of the seat belt (6) anchors and position it against the inside of the support as shown in Figure 6. Bolt the anchor to the support using the seat belt hardware provided.

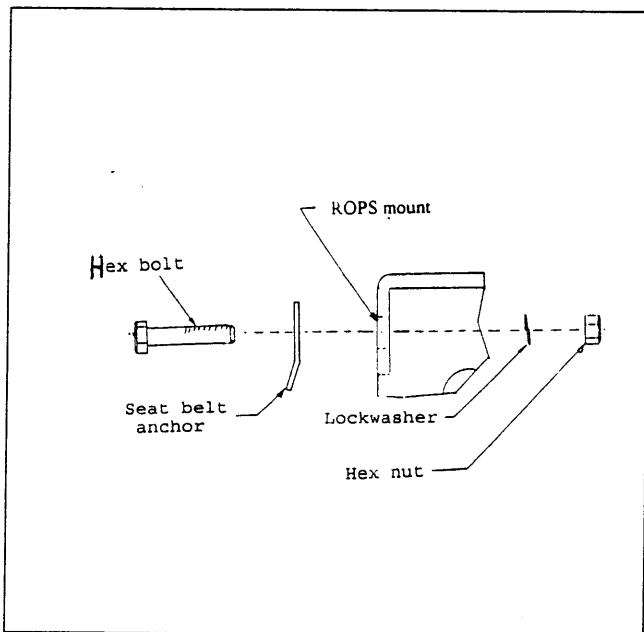


Figure 6

16. Repeat step 15 for the right side.

**NOTE:**

All references to left and right are taken from the operator's point of view when he/she is sitting in the seat.