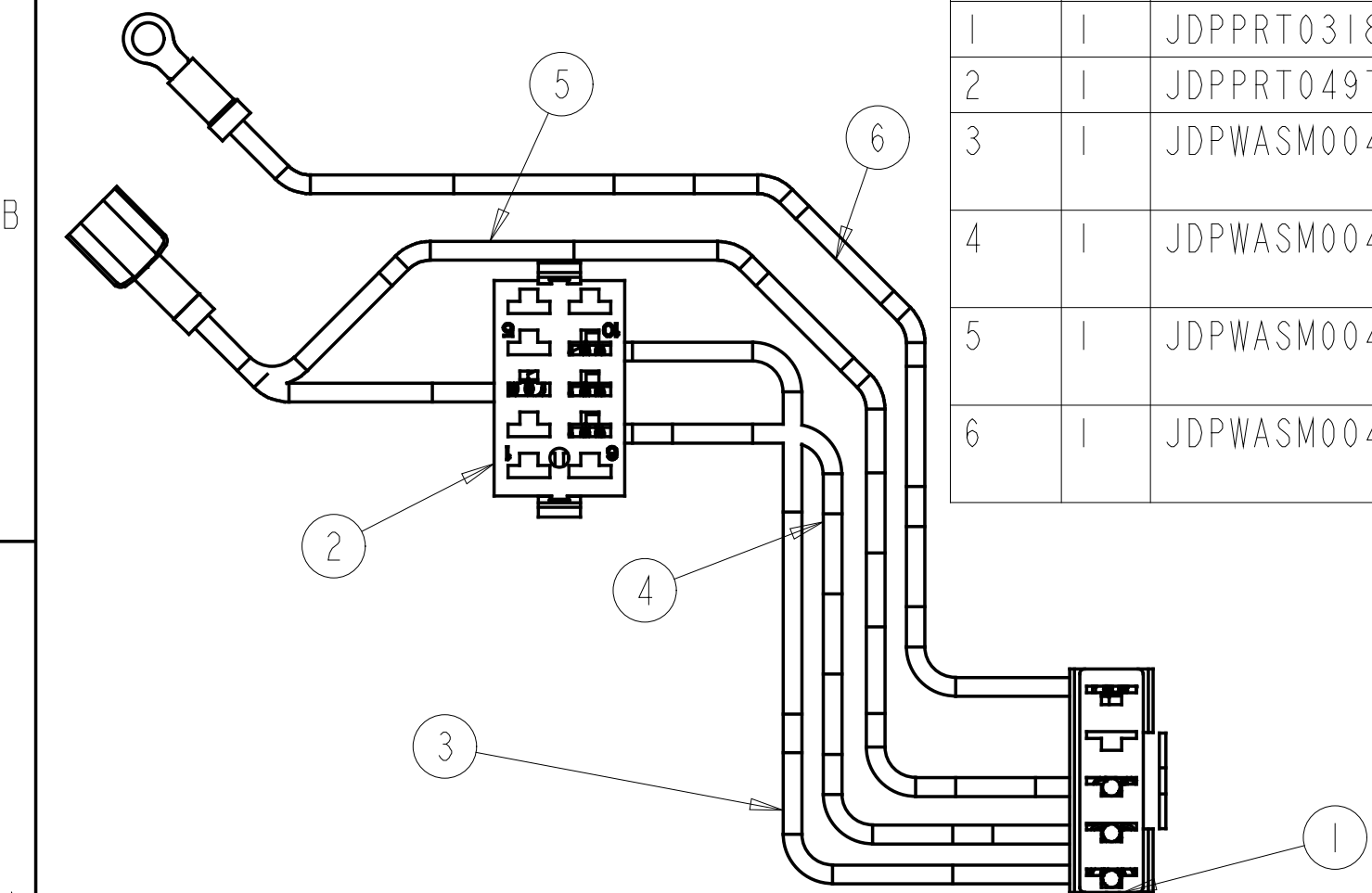


	Revision	Decision	Date

Item	Qty	File #	Description
1	1	JDPPRT0318A	Connector
2	1	JDPPRT0497	Connector
3	1	JDPWASM0040_1	L Wiper To Switch #9 & # 3
4	1	JDPWASM0040_2	H Wiper To Switch #7
5	1	JDPWASM0040_3	P Wiper To Switch #8 & Fuse
6	1	JDPWASM0040_4	Ground Wiper To Groud Fuse Block



Tolerances:  
 Unless otherwise specified  
 X.X = ±1/16"  
 Angular = ± 1.0°

SCALE 0.900

CONFIDENTIALITY NOTICE

This material is property of Jodale Perry Corporation (JDP) or one of its subsidiaries or affiliates and is not to be used by the recipient for any purpose other than the purpose for which it was transmitted. The material remains the property of JDP and shall be returned upon request. The material may not be reproduced or disclosed to third parties without the written consent of JDP

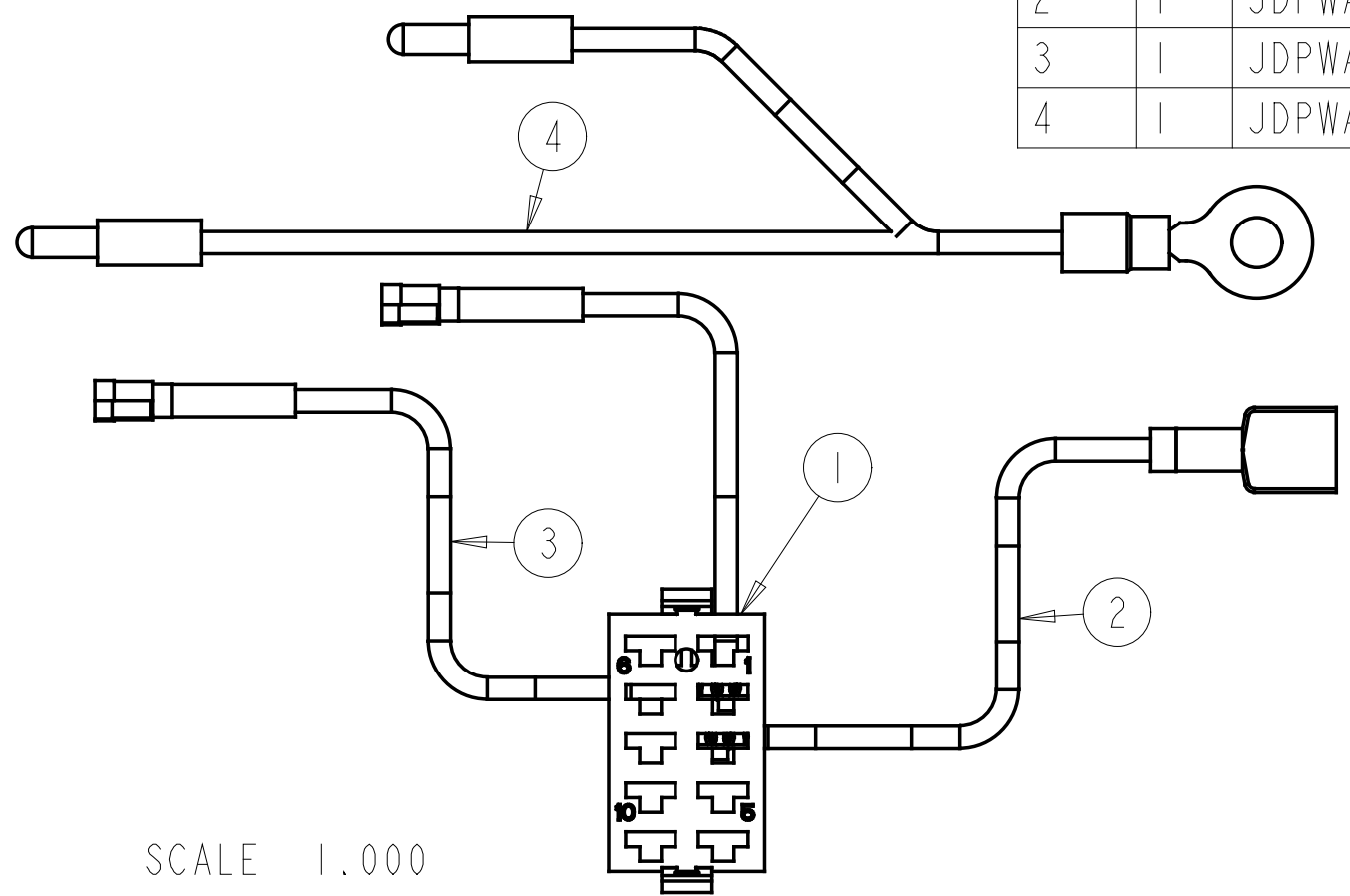
Material	Req'd	<b>JODALE PERRY CORPORATION</b> Box 909, 300 Route 100, Morden MB, Canada			
		Title <b>Wiper Harness</b>			
Drawn By Dave Friesen	Date 2006-01-04	Size A	Part Number	Project	Rev
Checked By	Date	Scale	Units Imperial	File Number JDPWASM0040	

Revision	Decision	Date

Item	Qty	File #	Description
1	1	JDPPRT0497	Connector
2	1	JDPWASM0041_1	Fuse To # 3
3	1	JDPWASM0041-2	# 2 To Light
4	1	JDPWASM0041_3	Light To Ground

B

A



SCALE 1.000

Tolerances:  
 Unless otherwise specified  
 X.X = ±1/16"  
 Angular = ± 1.0°

CONFIDENTIALITY NOTICE

This material is property of Jodale Perry Corporation (JDP) or one of its subsidiaries or affiliates and is not to be used by the recipient for any purpose other than the purpose for which it was transmitted. The material remains the property of JDP and shall be returned upon request. The material may not be reproduced or disclosed to third parties without the written consent of JDP

Material		Req'd		<b>JODALE PERRY CORPORATION</b> Box 909, 300 Route 100, Morden MB, Canada			
				Title <b>Work Light Harness</b>			
Drawn By Dave Friesen	Date 2006-02-02	Size A	Part Number	Project	Rev		
Checked By	Date	Scale	Units Imperial	File Number JDPWASM0041			

2

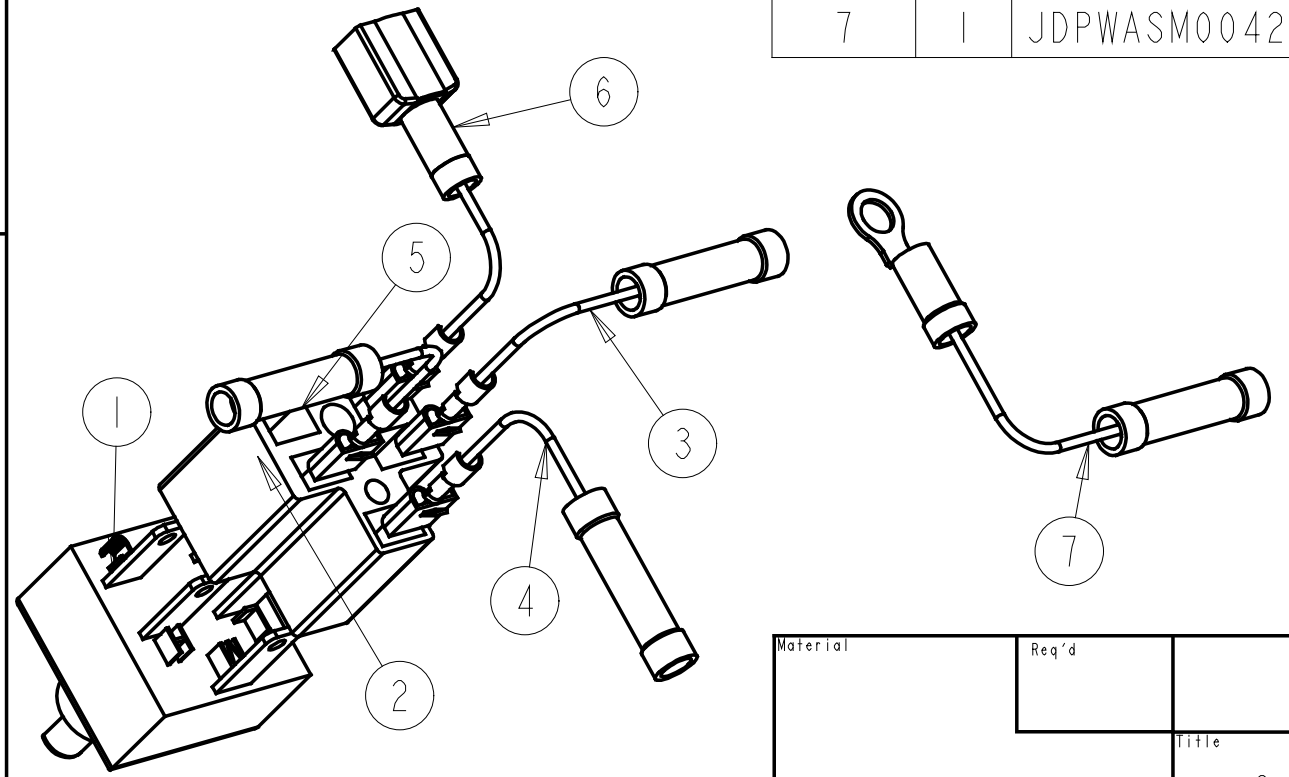
1

	Revision	Decision	Date

Item	Qty	File Number	Description
1	1	JDPPRT0178	3-Speed Fan Switch
2	1	JDPPRT0482	Terminal Block Fan Switch
3	1	JDPWASM0042_1	Low Speed Fan Motor
4	1	JDPWASM0042_2	Medium Speed Fan Motor
5	1	JDPWASM0042_3	Hi Speed Fan Motor
6	1	JDPWASM0042_4	Fuse Power
7	1	JDPWASM0042_5	Motor Ground

B

A



SCALE 1.000

Tolerances:  
 Unless otherwise specified  
 X.X = ±1/16"  
 Angular = ± 1.0°

CONFIDENTIALITY NOTICE

This material is property of Jodale Perry Corporation (JDP) or one of its subsidiaries or affiliates and is not to be used by the recipient for any purpose other than the purpose for which it was transmitted. The material remains the property of JDP and shall be returned upon request. The material may not be reproduced or disclosed to third parties without the written consent of JDP

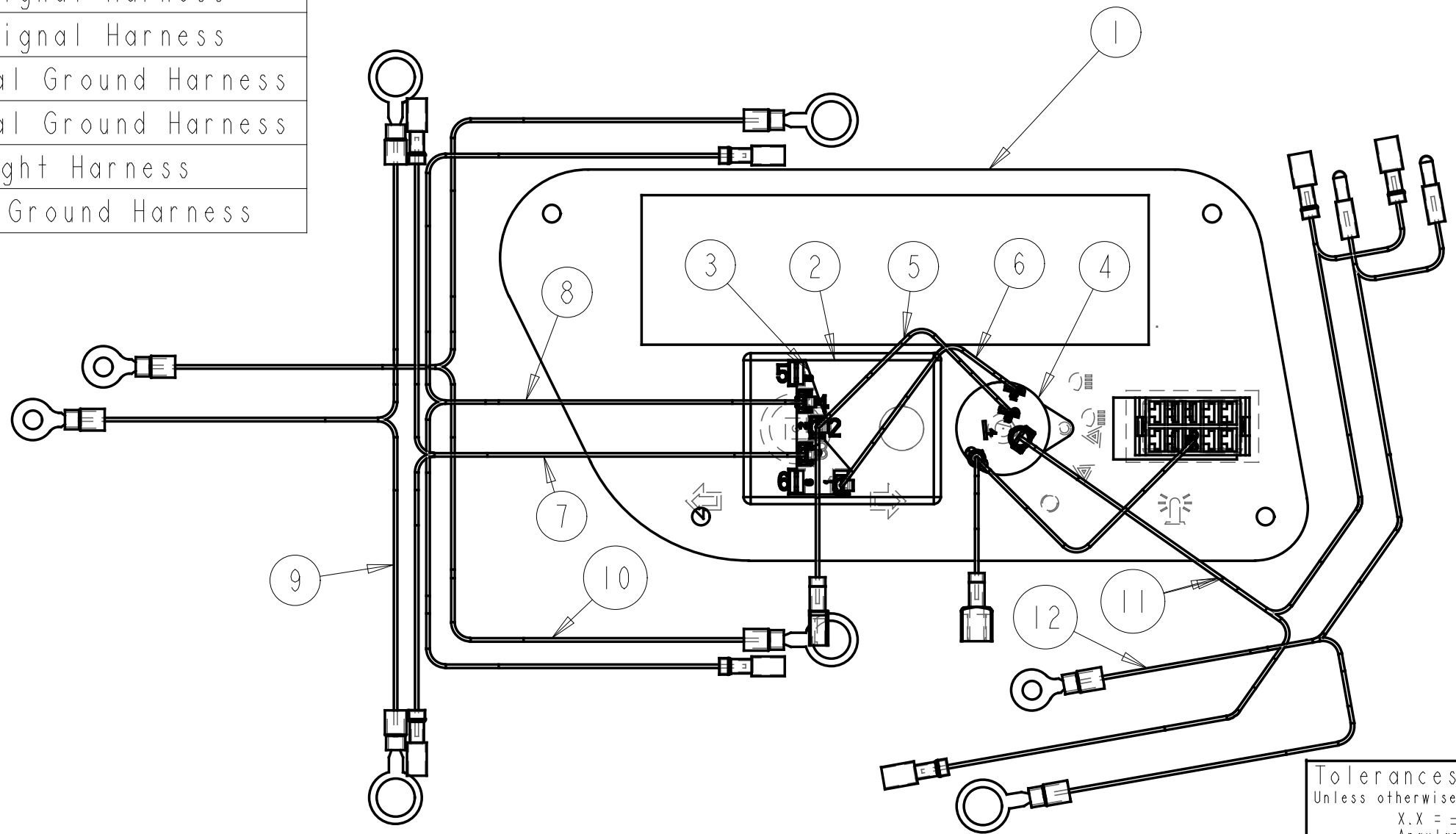
Material	Req'd	<b>JODALE PERRY CORPORATION</b> Box 909, 300 Route 100, Morden MB, Canada			
		Title <b>3-Speed Fan Power Harness</b>			
Drawn By Dave Friesen	Date 2006-06-07	Size A	Part Number	Project Boxer Parts	Rev
Checked By	Date	Scale	Units Imperial	File Number JDPWASM0042	

2

1

Item	Qty	File Number	Description
1	1	JDPASM0106	Switch Plate Assembly
2	1	JDPPRT0179	Hobbs Flasher
3	1	JDPPRT0510	Hobbs Connector
4	1	JDPPRT0410	Road Light Switch
5	1	JDPWASM0043-1	Power Harness
6	1	JDPWASM0043-2	Flasher Power Harness
7	1	JDPWASM0043-3	RH Turn Signal Harness
8	1	JDPWASM0043-4	LH Turn Signal Harness
9	1	JDPWASM0043-5	RH Turn Signal Ground Harness
10	1	JDPWASM0043-6	LH Turn Signal Ground Harness
11	1	JDPWASM0043-7	Road Light Harness
12	1	JDPWASM0043-8	Road Light Ground Harness

Revision	Decision	Date



Tolerances:  
 Unless otherwise specified  
 X.X = ± 1.0mm  
 Angular = ± 1.0°

SCALE 0.500

CONFIDENTIALITY NOTICE

This material is property of Jodale Perry Corporation (JDP) or one of its subsidiaries or affiliates and is not to be used by the recipient for any purpose other than the purpose for which it was transmitted. The material remains the property of JDP and shall be returned upon request. The material may not be reproduced or disclosed to third parties without the written consent of JDP.

Material	Req'd	<b>JODALE PERRY CORPORATION</b> Box 909, 300 Route 100, Morden MB, Canada			
Title		BOXER Roadlight Switch Assembly			
Drawn By Dave Friesen	Date 2006-04-28	Size B	Part Number	Project	Rev
Checked By	Date	Scale	Units Imperial	File Number JDPWASM0043	

Item	Qty	Length	Color	File Number	Description
1	1			JDPPRT0497	14GA Switch Connector
2	1	5"	Red	JDPWASM0044_2	# 3 To C on Fan Switch
3	1	10"	White	JDPWASM0044_3	#4 To 85 on relay
4	1			JDPPRT0481	Relay Connector
5	1	6" 4"	Red	JDPWASM0044_1	# 30 on relay to fuse block
6	1	9"	Black	JDPWASM0044_4	# 86 on relay to ground
7	1	18"	White	JDPWASM0044_5	# 87 to freeze switch
8	1			JDPPRT0519	Freeze Switch
9	1	18"	White	JDPWASM0044_6	Freeze Switch to drier
10	1			JDPPRT0427	Reciever Drier
11	1		White	JDPWASM0044_7	Drier to compressor
12	1			JDPPRT0321	Relay

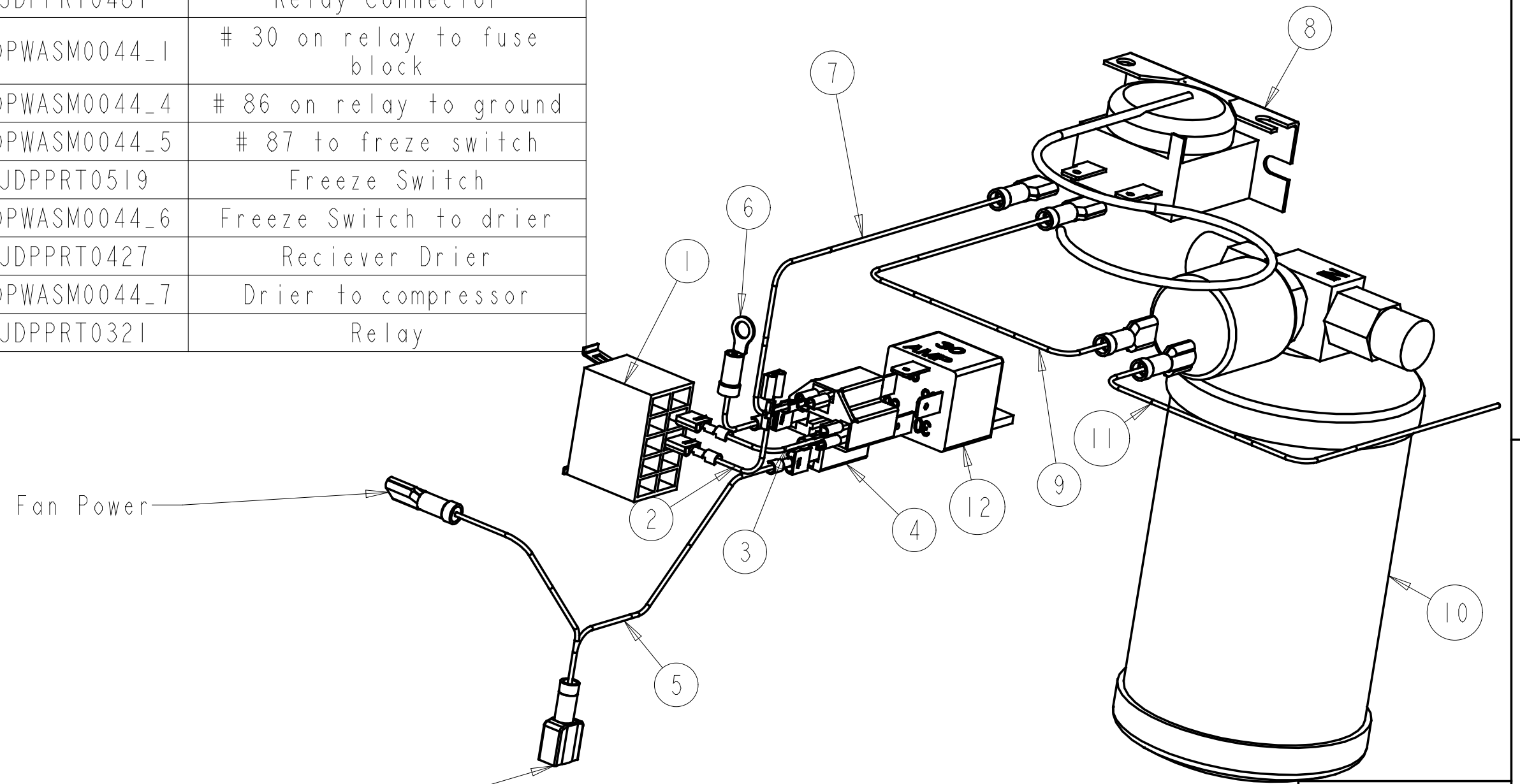
Revision	Decision	Date

B

B

A

A



Fan Power

To Fuse

Tolerances:  
 Unless otherwise specified  
 X.X = ± 1.0mm  
 Angular = ± 1.0°

## CONFIDENTIALITY NOTICE

This material is property of Jodale Perry Corporation (JDP) or one of its subsidiaries or affiliates and is not to be used by the recipient for any purpose other than the purpose for which it was transmitted. The material remains the property of JDP and shall be returned upon request. The material may not be reproduced or disclosed to third parties without the written consent of JDP.

SCALE 0.700

2

Material	Req'd	<b>JODALE PERRY CORPORATION</b> Box 909, 300 Route 100, Morden MB, Canada			
Title		A/C Power Harness			
Drawn By Dave Friesen	Date 2006-06-07	Size B	Part Number	Project	Rev
Checked By	Date	Scale	Units Imperial	File Number JDPWASM0044	