



BUILT FOR LIFE

**PARTS LIST
&
MOUNTING
INSTRUCTIONS**

**3365
John Deere ROPS**

3365 JOHN DEERE ROPS PARTS LIST

BRACKETS, SHIELDS, ETC.:

| Item | Qty | Description |
|------|-----|----------------------------------|
| 5 | L&R | Front brackets |
| 4 | 7 | Front bracket spacers (5/8"lng.) |
| 6 | 1 | Front bracket spacer (1/2"lng.) |
| 2 | L&R | Front bracket supports |
| 3 | 2 | Front bracket support anchors |
| 1 | 1 | Rear bracket |

HARDWARE:

| Qty | Description |
|-----|----------------------------------|
| 2 | 7/16"x3" Hex bolts (gr.8) |
| 6 | 7/16"x3 1/2" Hex bolts (gr.8) |
| 8 | 7/16" Hex nuts (gr.5) |
| 2 | 7/16" Flatwashers |
| 8 | 7/16" Lockwashers |
| 4 | 1/2"x3" Hex bolts (gr.8) |
| 4 | 1/2"x6" Hex bolts (gr.8) |
| 8 | 1/2" Hex nuts (gr.8) |
| 8 | 1/2" Lockwashers |
| 4 | 9/16"i.d.-2 1/2"o.d. Flatwashers |
| 4 | 5/8"x3 1/2" Hex bolts (gr.8) |
| 4 | 5/8" Hex nuts (gr.8) |
| 4 | 5/8" Lockwashers |

MISCELLANEOUS:

| Item | Qty | Description |
|------|-----|---|
| ** | 4 | 9/16"i.d.-2 1/2"o.d. Rubber flatwashers |
| ** | 4 | 9/16"i.d.-3"o.d. Rubber mounts |

3365 JOHN DEERE ROPS MOUNTING INSTRUCTIONS

1. Remove the fuel tank, factory ROPS, and operator foot platform shields.
2. Take the rear bracket (1) and position it against the two rear holes of the three-bolt pattern, where the factory ROPS was bolted. REMEMBER to keep the ROPS mounting plates toward the front. Loosely bolt the bracket to the unit's chassis using the 5/8"x3 1/2" hex bolts, hex nuts, and lockwashers supplied. (see figure 1)

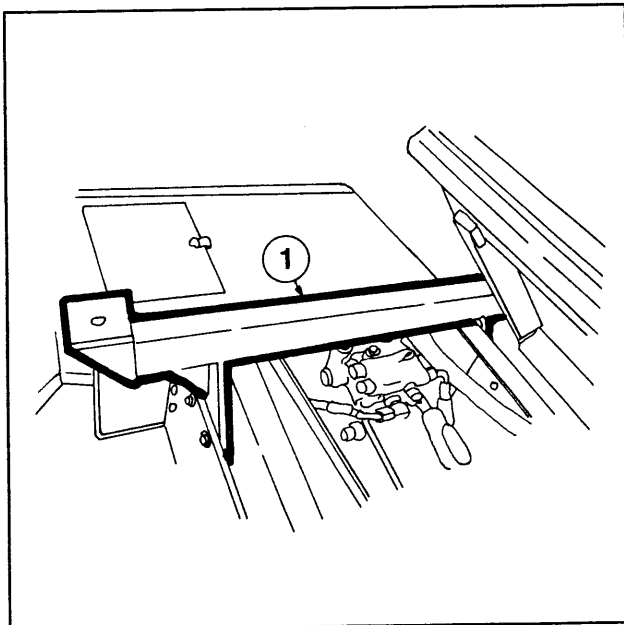


Figure 1

3. Reinstall the fuel tank.
4. Move to the left, front of the unit. Locate and cut off the rearmost 1/4"i.d.-1/2"o.d. tubular spacer, used between the side operator foot platform shield and frame. Using the existing 1/4"dia. hole as a guide, drill a 15/32"dia. hole through the frame.
5. Locate the two factory bolts used to fasten the left, rear

of the platform frame to the unit's chassis, and remove. Using the 3/8"dia. holes as guides, drill two 15/32"dia. holes through the frame and chassis.

6. Take the left platform shield, removed in step 1, and locate the rear 1/4"dia. hole. Using the hole as a guide, enlarge it to 15/32"dia..
7. Take the left, front bracket support (2) and position it as shown in figures 2,3. Take one of the front bracket support anchors (3) and position it on top of the front axle, in-line with the bracket support. Loosely bolt the anchor to the support using the 1/2"x6" hex bolts, hex nuts, and lockwashers provided. (see figures 2,3)

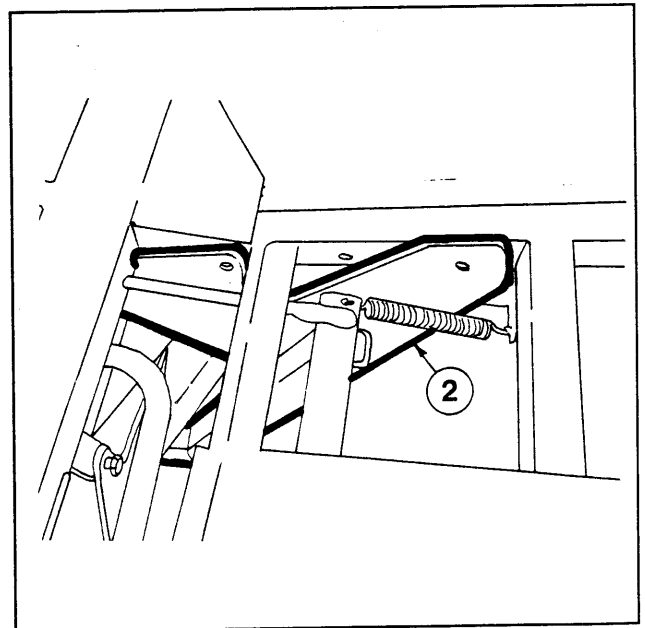


Figure 2

8. Take three of the 5/8" front bracket spacers (4) and position one against each of the 15/32"dia. holes drilled in steps 4,5. Reinstall the left,

NOTE:

All references to left and right are taken from the operator's point of view when he/she is sitting in the seat.

3365 JOHN DEERE ROPS MOUNTING INSTRUCTIONS

platform shield.
(see figure 4)

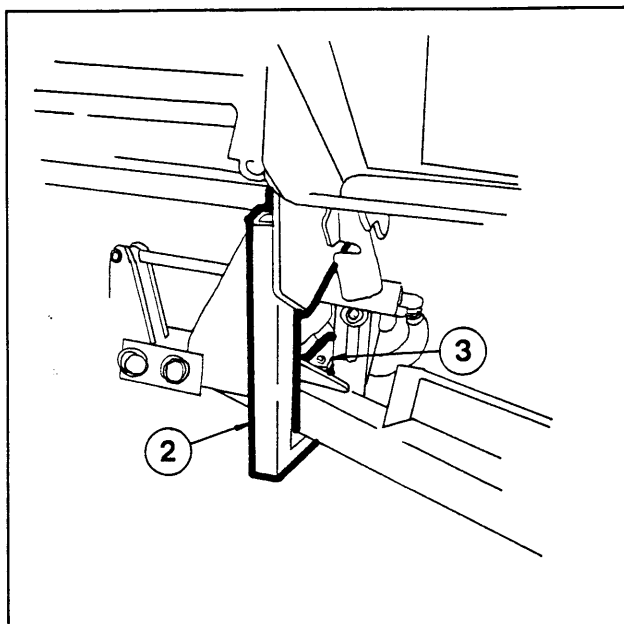


Figure 3

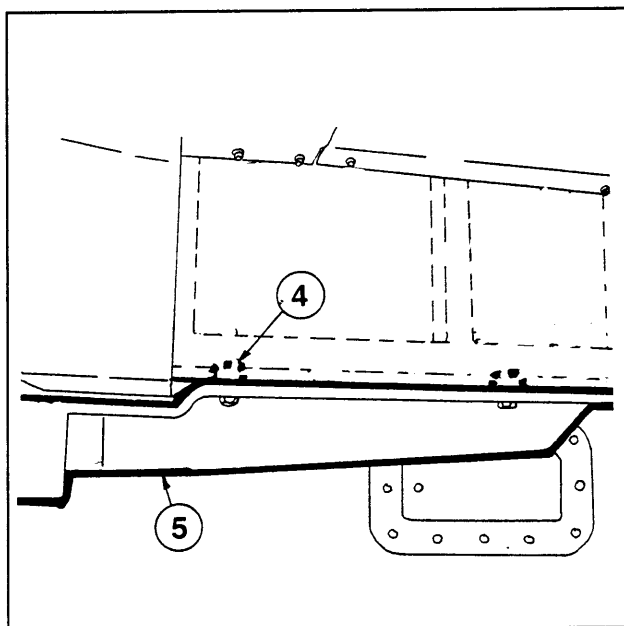


Figure 4

9. Take the left, front bracket (5) and position it against the outside of the left, platform shield. Loosely bolt the bracket, through the shield, bracket spacers, and platform frame, to the bracket support

using the 7/16"x3 1/2" hex bolts, hex nuts, and lockwashers supplied.
(see figure 4)

10. Repeat steps 4-9 for the right side.

11. Locate the 1/2"dia. hole towards the front of the left, front bracket (5). Rotate the bracket so the hole lines up approximately with the centre of the platform frame. Using the hole as a guide, drill a 15/32"dia. hole through the platform shield and frame.
(see figure 4)

12. Take the remaining 5/8" spacer (4) and position it between the platform shield and frame. Loosely bolt the bracket, through the shield and spacer, to the frame using the 7/16"x3" hex bolt, hex nut, flatwasher, and lockwasher provided. (see figure 4)

13. Repeat step 12 for the right side with one exception. Use the 1/2" bracket spacer (6).

14. **NOW YOU ARE READY TO MOUNT THE ROPS.** Place one rubber mount on each ROPS mounting plate of the front and rear brackets. Lift the ROPS, using the lift bolts located near the roof, directly above the tractor. Slowly lower the ROPS until the ROPS mounts rest solidly on the rubber mounts. Then, bolt the ROPS snugly to the brackets as shown in figure 5.

15. Tighten all bracket bolts. If the ROPS is equipped with a golf ball protection kit, remove the side shipping brackets.

NOTE:

All references to left and right are taken from the operator's point of view when he/she is sitting in the seat.

3365 JOHN DEERE ROPS MOUNTING INSTRUCTIONS

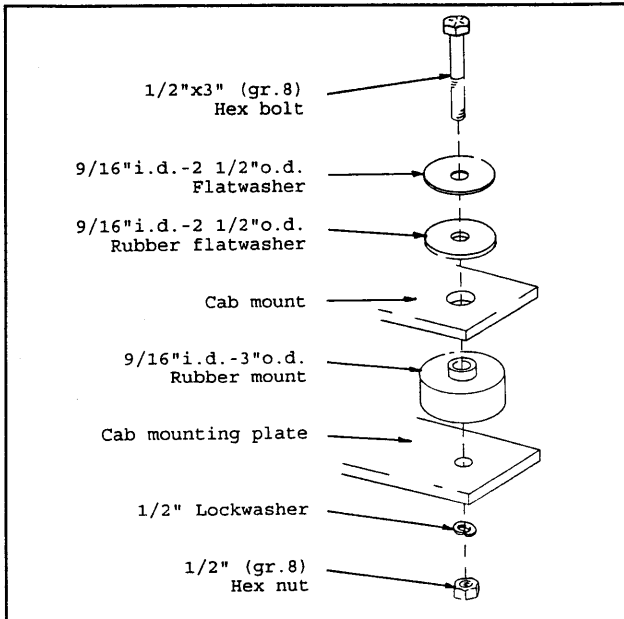


Figure 5

NOTE:

All references to left and right are taken from the operator's point of view when he/she is sitting in the seat.