



BUILT FOR LIFE

**PARTS LIST
&
MOUNTING
INSTRUCTIONS**

**3215, 3235
John Deere ROPS**

3215, 3235 JOHN DEERE ROPS PARTS LIST

BRACKETS, SHIELDS, ETC.:

Item	Qty	Description
1	L&R	Front brackets
2	L&R	Rear brackets

HARDWARE:

Qty	Description
4	12x30x1.75mm Hex bolts (gr.5)
2	1/2"x2 1/2" Hex bolts (gr.8)
4	1/2"x3" Hex bolts (gr.8)
4	1/2" Hex nuts (gr.8)
10	1/2" Lockwashers
4	9/16"i.d.-2 1/2"o.d. Flatwashers

MISCELLANEOUS:

Item	Qty	Description
**	4	9/16"i.d.-2 1/2"o.d. Rubber flatwashers
**	4	9/16"i.d.-3"o.d. Rubber mounts

3215, 3235 JOHN DEERE ROPS MOUNTING INSTRUCTIONS

1. Remove the 2-post ROPS.
2. Take the left front bracket (1) and position it against the two-hole bolt pattern in the left side of the operator foot platform. Ensure the ROPS mounting plate is towards the front and outside. Bolt the bracket to the platform using the 12x30x1.75mm hex bolt and 1/2" lockwashers supplied. (see Figure 1)

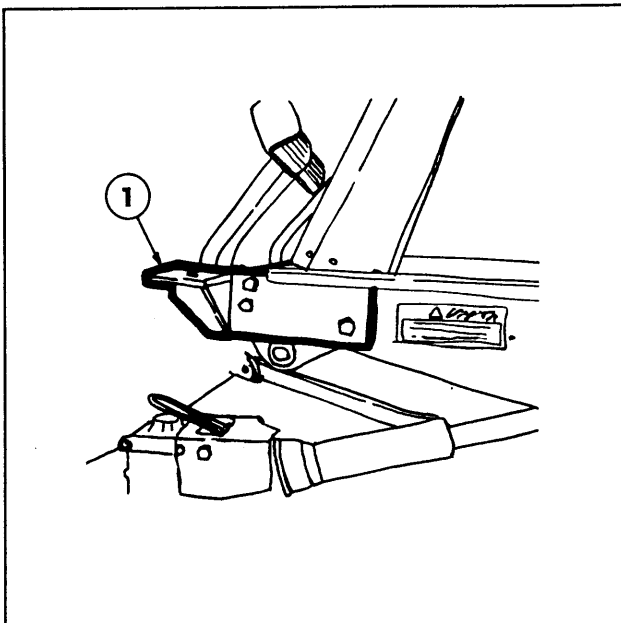


Figure 1

3. Locate the rear hole in the left front bracket (1). Using the hole as a guide drill a 9/16"dia. hole through the platform. Loosely, bolt the bracket to the platform using the 1/2"x2 1/2" hex bolt, hex nut, and lockwasher supplied. (see figure 1)
4. Take the right front bracket and repeat steps 2 and 3.
5. Tilt the seat plate forward. Locate the factory 2-post ROPS mounting tubes. Take the left rear bracket (2) and slide it

into the left tube, with the ROPS mounting plate towards the rear and outside. Bolt the bracket to the tube using the factory bolts removed in step 1. (see Figure 2)

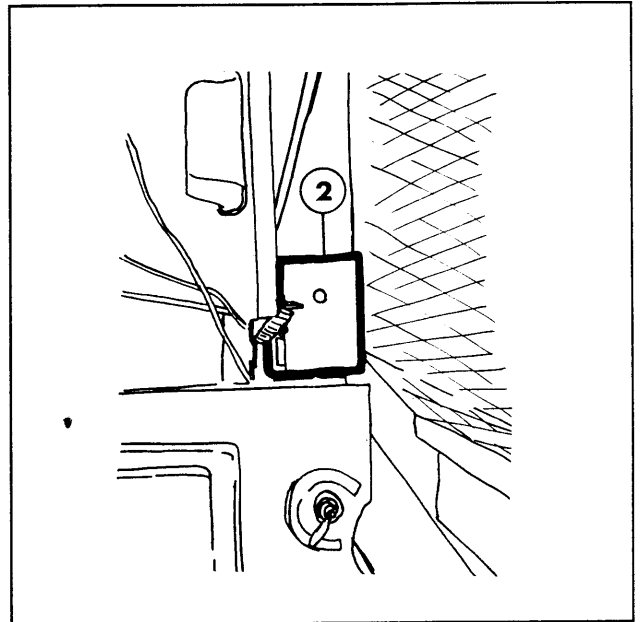


Figure 2

6. Take the right rear bracket and repeat step 5.
7. **NOW YOU ARE READY TO MOUNT THE ROPS.** Place one rubber mount on each ROPS mounting plate of the front and rear brackets. Lift the ROPS, using the lift bolts located near the roof, directly above the tractor. Slowly lower the ROPS until the ROPS mounts rest solidly on the rubber mounts. Then, bolt the ROPS snugly to the brackets as shown in figure 3.
8. Tighten all front and rear bracket bolts. If the ROPS is equipped with the golf ball protection kit, remove the side shipping brackets.

NOTE:

All references to left and right are taken from the operator's point of view when he/she is sitting in the seat.

3215,3235 JOHN DEERE ROPS MOUNTING INSTRUCTIONS

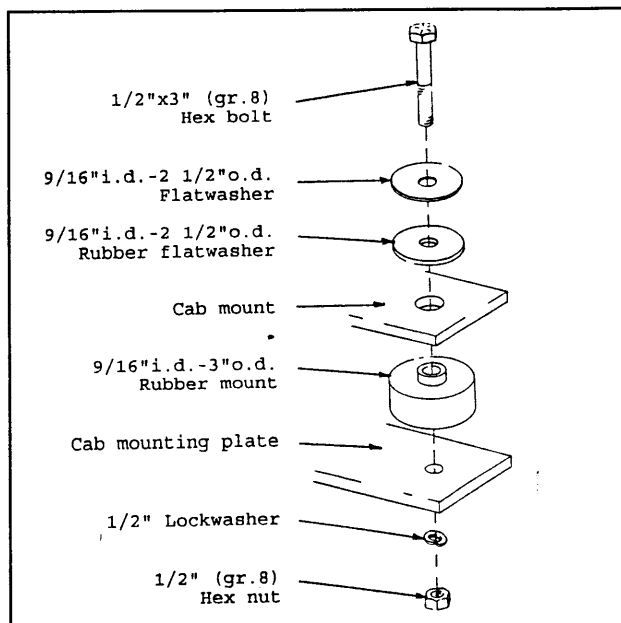


Figure 3

NOTE:

All references to left and right are taken from the operator's point of view when he/she is sitting in the seat.