

This ROPS is intended to be used on the following products and not to be used on any other units:

Toro Reelmaster 5210
Toro Reelmaster 5410
Toro Reelmaster 5510
Toro Reelmaster 5610

This ROPS is manufactured for The Toro Company by Jodale Perry Corporation.

This product is covered by a one year limited warranty by Jodale Perry Corporation.

Mounting Instructions



www.jodaleperry.com

2005 Jodale Perry Corporation
204-822-9100
Box 909
300 Route 100
Morden, Manitoba, CANADA
R6M 1A8

- ⚠ CAUTION:** Read and follow all safety statements and assembly instruction, before attempting to mount or operate vehicle with sunshade installed.
- ⚠ CAUTION:** The resulting noise levels when using this product will exceed OSHA standards for an 8 hour work day and hearing protection with a Noise Reduction Rating (NRR) of 22 or higher is required
- ⚠ CAUTION:** This unit is heavy, and should be mounted with a minimum of two personnel and a hoist.
- ⚠ INSTALLER:** Leave these instructions with end user. If Manual is lost or damaged, please contact your Toro dealer/distributor for replacement.
- ⚠ END USER:** Keep this manual for future reference.

TABLE OF CONTENTS

INTRODUCTION – TO THE PURCHASER	4
PACKING LIST/PARTS PHOTOS	5
DECALS	6
MOUNTING INSTRUCTIONS	7

TO THE PURCHASER

All products are designed to give safe, dependable service if they are operated and maintained according to instructions. Read and understand this manual before operation.

This manual has been prepared to assist the owner and operators in the safe operation and suitable maintenance of the canopy. The information is applicable to products at the time of manufacture and does not include modifications made afterwards.

Read and understand this manual before attempting to put equipment into service.

Familiarize yourself with the operating instructions and all the safety recommendations contained in this manual and those labeled on the equipment and on the tractor. Follow the safety recommendations and make sure that those with whom you work follow them.

Illustrations

The illustrations may not necessarily reproduce the full detail and the exact shape of the parts or depict the actual models, but are intended for reference only.

Direction Reference

All references to right and left, forward or rearward, are from the operator's seat, facing the steering wheel.

Safety Precautions

All products are designed to give safe, dependable service if they are operated and maintained according to instructions. **Read and understand this manual before operation.** It is the owner's responsibility to be certain anyone operating this product reads this manual, and all other applicable manuals, to become familiar with this canopy and all safety precautions. Failure to do so could result in serious personal injury or canopy damage. If you have any questions, consult your dealer.

To assist your TORO distributor/dealer in handling your needs, please record hereafter the model number and serial number of your canopy and tractor. It is also advisable to supply them to your insurance company. It will be helpful in the event that the canopy or tractor is lost or stolen.

TRACTOR CANOPY

MODEL:

SERIAL NUMBER:

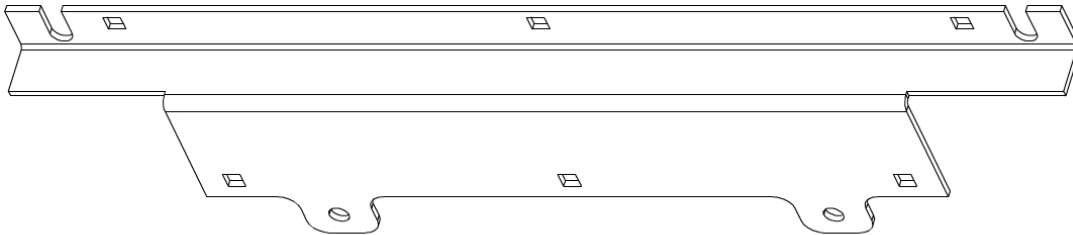
DATE OF PURCHASE:

DEALER NAME:

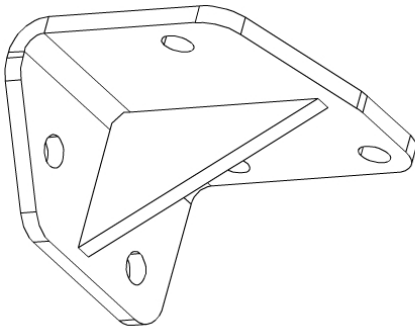
PACKING LIST

Description	Qty
Bolt, Carriage, M12x40x1.75, Gr. 8.8, YD	6
Nut, Flange, Nylon-Locking, M12x1.75, Gr. 8.8, YD	6
Bolt, Hex, 3/8" x 1 1/2", Gr. 8, YD	10
Nut, Hex, 3/8", Gr. 8, YD	10
Front Brackets	L&R
Rear Mounting Bracket	1
Mesh Package Only	
Nut, Flange, 5/16", YD	8
Rear Clamshell Brackets for Door	L&R
Bolt, Flange, 5/16" x 3/4", Gr. 5, YD	10

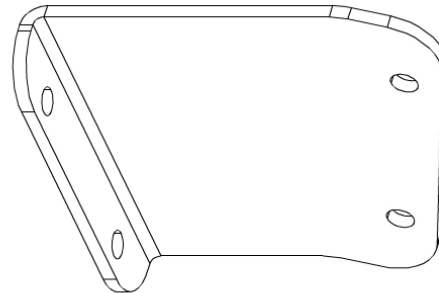
PARTS PHOTOS



TO5410PRT0004



TO5410DASM0002
Left and Right



TO5410PRT0015
Left and Right
(Mesh Only)

Ruler for measuring nuts, bolts, and screws.



***NOTE** – Parts photos are not to scale.

DECALS

1. Keep decals clean. Remove dirt with a wet clean cloth when necessary.
2. Replace safety decals if destroyed, missing, painted over or unreadable. If the tractor safety decals are covered or obscured when the cab is mounted, purchase replacement decals from the tractor manufacturer. Mount them in a readable location at, or near, their original location before operating the tractor.
3. New cab decals and tractor decals are available from your Toro distributor/dealer.



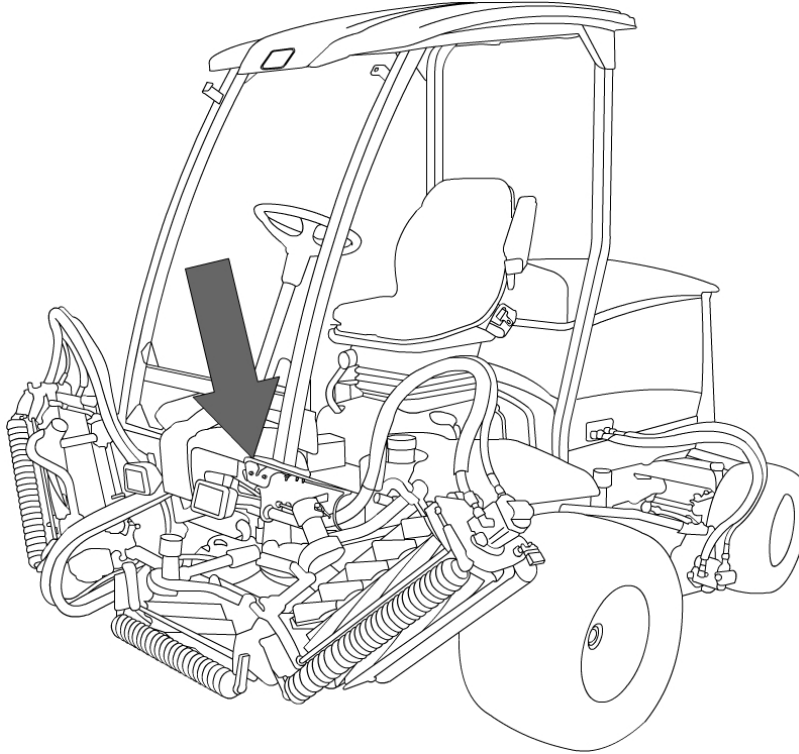
98-4387

CAUTION

The resulting noise levels when using this product will exceed OSHA standards for an 8 hour workday and hearing protection with a Noise Reduction Rating (NRR) of 22 or higher is required.

MOUNTING INSTRUCTIONS

- Step 1. Take the front left under platform support bracket and position under the platform. Fasten into place with two 3/8" x 1 1/2" hex bolts and nuts into the side of the operator platform.



-
- Step 2. Repeat for the right under platform bracket support bracket.

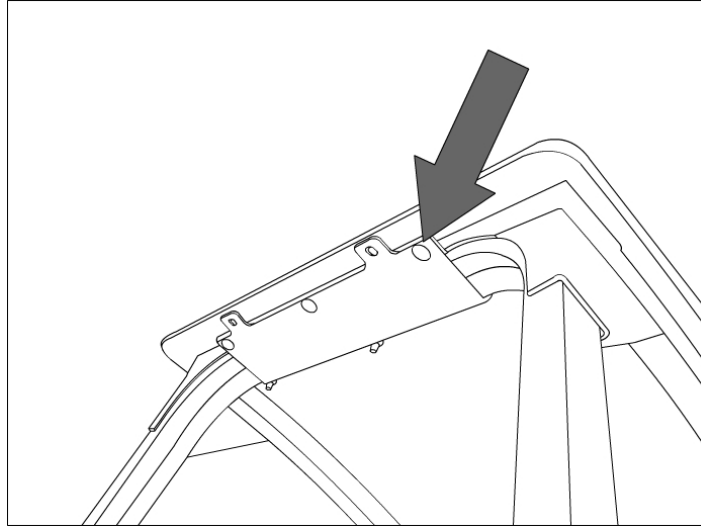
-
- Step 3. Lift the modular ROPS off of the shipping pallet with an over head hoist.

-
- Step 4. Slowly lower the ROPS onto the machine, and get the rear bracket over the 2-post ROPS first.

-
- Step 5. Take the rear bracket and fasten to the modular ROPS in order to secure the rear position first. Use the provided M12 fasteners.

-
- Step 6. Use the remaining 3/8" fasteners and bolt the front mount to the platform through the support brackets installed earlier.

-
- Step 7. Torque all fasteners to recommended specifications.
-



Torque Specifications:
M12 torque: 102 ft-lbs
3/8" torque: 48 ft-lbs