



**BUILT FOR LIFE**

**PARTS LIST  
&  
MOUNTING  
INSTRUCTIONS**

**B1700, B2100, B2400  
Kubota**

# B1700, B2100, B2400 KUBOTA PARTS LIST

## BRACKETS, SHIELDS, ETC. :

Item	Qty	Description
12	1	Hood shield
4	L&R	Rear brackets
1	1	Seat shield

## Tractors not equipped with a LA301/LA351 Kubota loader

9	L&R	Front brackets
7	2	Front bracket spacers
8	6	Front bracket sleeves

## Tractors equipped with a LA301/LA351 Kubota loader

10	L&R	Front brackets
11	2	Front bracket supports
14	1	Hydraulic control shield

## HARDWARE:

Qty	Description
4	#8x1/2" Screws
10	1/4"x3/4" Self-tap screws
4	1/2"x3" Hex bolts (gr.8)
4	1/2" Hex nuts (gr.8)
8	1/2" Lockwashers
4	9/16"i.d.-2 1/2"o.d. Flatwashers

## Tractors not equipped with a LA301/LA351 Kubota loader

6	12x75x1.75mm (gr.5)
2	1/2" Lockwashers

## Tractors equipped with a LA301/LA351 Kubota loader

5	1/4"x3/4" Self-tap screws
4	1/2" Flatwashers
4	1/2"x2" Hex bolts (gr.8)
4	1/2" Hex nuts (gr.8)

## MISCELLANEOUS:

Item	Qty	Description
13	1	27"x40 1/2" Floormat (as per pattern)
5	1	12" 1/2"x3/4" NDAX
6	1	13 1/2' 180 degree O-rubber
**	4	9/16"i.d.-2 1/2"o.d. Rubber flatwashers
**	4	9/16"i.d.-3"o.d. Rubber mounts
2	1	11 1/2"x19" Upholstery (as per pattern)
3	L&R	12"x39" Upholstery (as per pattern)

# B1700, B2100, B2400 KUBOTA MOUNTING INSTRUCTIONS

1. If the tractor is equipped with a LA301/LA351 Kubota loader, remove the quick-attach portion and loader valve.
2. Remove the 2-post ROPS, toolbox, 4-way flashers, fender grab handles, seat, and seat tracks. Remove the top two bolts fastening the front seat panel to the tractor.
3. Take the seat shield (1) and position it directly over the transmission, in line with the four-hole bolt pattern used to fasten the seat to the tractor. Cut all necessary openings in the upholstery for controls, levers, and seat bolts. Remove the seat shield cover. Rebolt the seat tracks, through the shield, to the tractor. Access to the front bolts is possible through the access hole in the seat shield. Then fasten the seat shield, through the front seat panel, to the tractor, using the factory bolts removed in step 2. Ensure that all controls are permitted to operate normally. Reattach the cover. (see Figure 1)
4. Take the 11 1/2"x19" piece of upholstery (2) and position it against the front seat panel. Line up the top edges of the upholstery and front seat panel. Cut all necessary openings for controls and levers. Glue the upholstery to the panel. (see Figure 2)
5. Unbolt the factory fender control shields. Take one of the 12"x39" pieces of upholstery (3) and position it against the left fender under the controls, with the grey cloth towards you. Line up the outside edges of the upholstery

and factory control shields. Trim the upholstery to fit snugly around the seat shield and operator foot platform. Then, glue the upholstery to the fender. (see Figure 3)

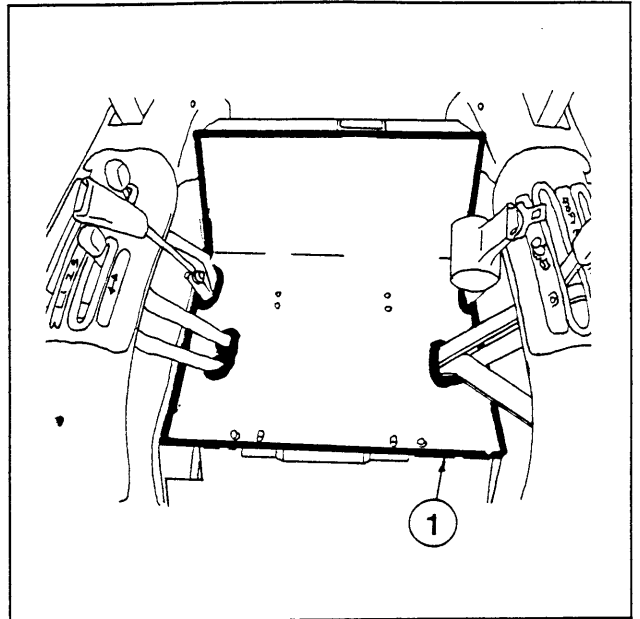


Figure 1

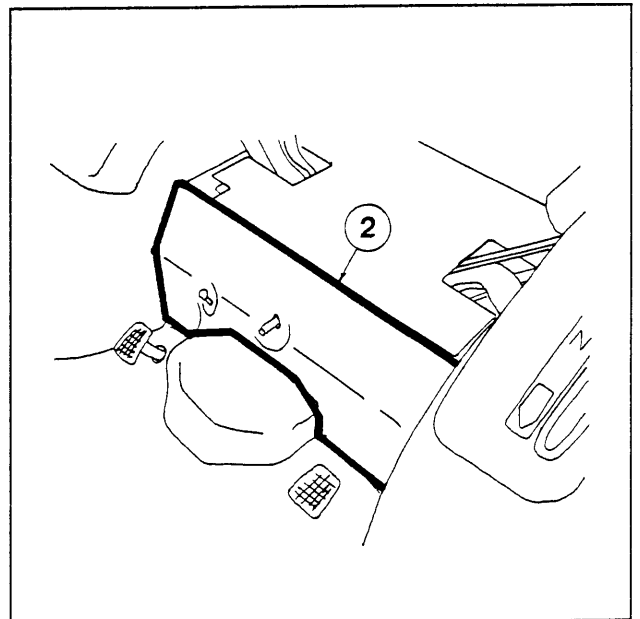


Figure 2

6. Repeat step 5 for the right fender.

## NOTE:

All references to left and right are taken from the operator's point of view when he/she is sitting in the seat.

# B1700, B2100, B2400 KUBOTA MOUNTING INSTRUCTIONS

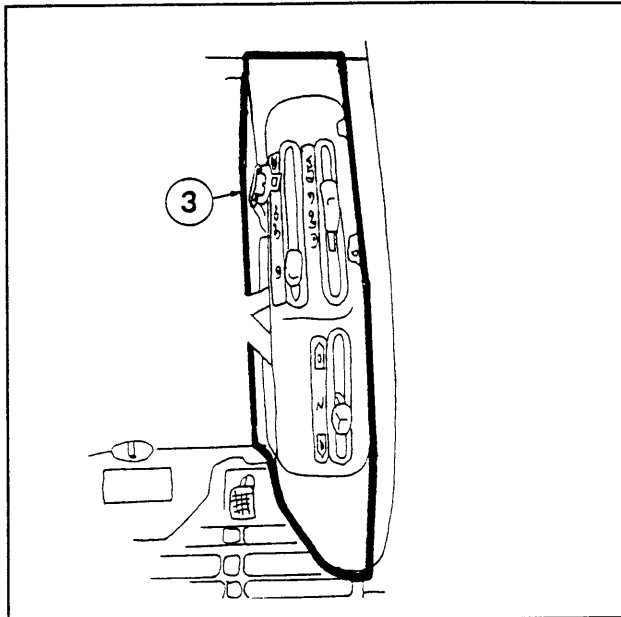


Figure 3

7. Rebolt the factory control shields to the fender.

8. Reattach the seat.

9. Take the left rear bracket (4) and slide it over the 2-post ROPS mount, with the cab mounting plate towards the front and outside. Using the factory bolts removed in step 2, bolt the bracket loosely to the mount. (see Figure 4)

10. Repeat step 6 for the right rear bracket.

11. Take the 1/2"x3/4" NDAX (5) and cut two 6" pieces. Position each piece against the front, top lip of the operator foot platform. Line up the rear edges of the NDAX and the top lip, then peel off the NDAX's adhesive backing. Glue the NDAX to the platform. (see Figure 5)

12. Move to the cab. Take the 180 degree O-rubber (6) and slide it onto the bottom edge

of the side and rear panels. Beginning at the left, bottom corner work your way up and back, move across the rear of the cab, then forward and down to the right, bottom corner. (see Figure 6)

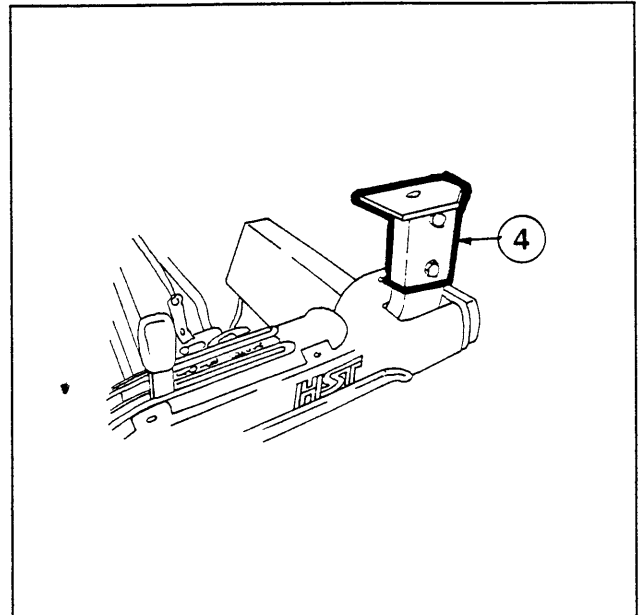


Figure 4

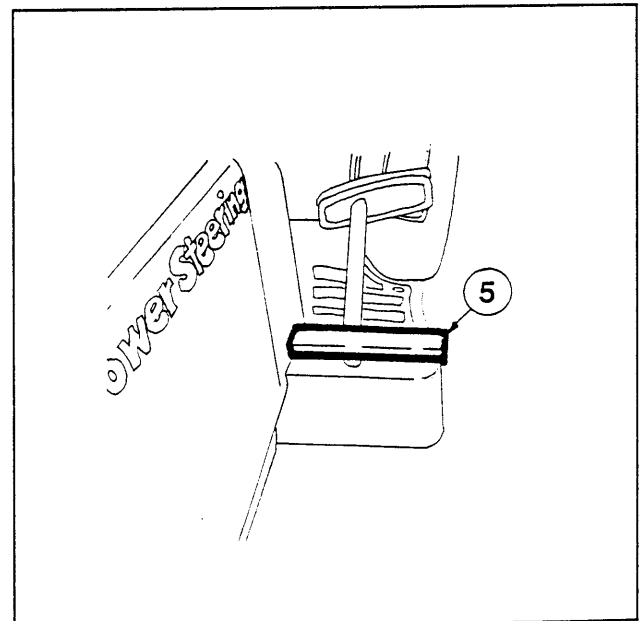


Figure 5

13. If your tractor is equipped with a LA301/LA351 Kubota

**NOTE:**

All references to left and right are taken from the operator's point of view when he/she is sitting in the seat.

## B1700, B2100, B2400 KUBOTA MOUNTING INSTRUCTIONS

loader skip to step 18,  
otherwise proceed to step 14.

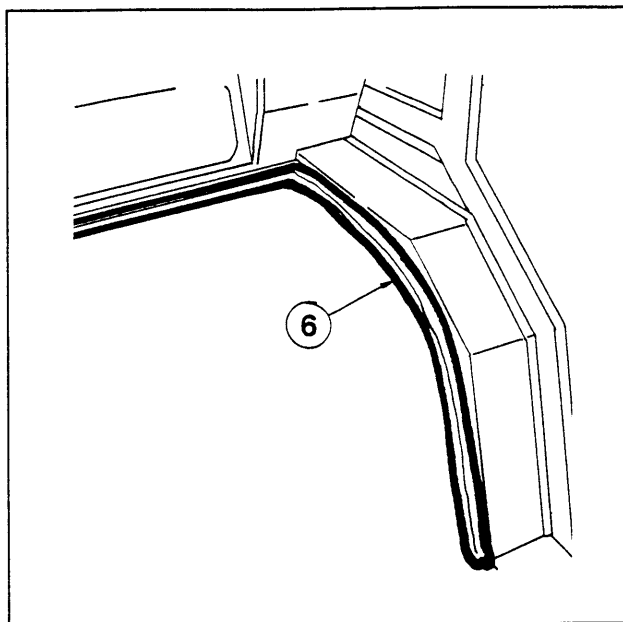


Figure 6

**Tractors not equipped with a  
LA301/LA351 Kubota loader.**

14. If your tractor is not equipped with a Kubota mid-mount mower take the front bracket spacers (7) provided. Position one against the three-hole bolt pattern on each side of the engine housing, directly below the operator foot platform. (see Figure 7)

15. Take the front bracket sleeves (8) and position one against each hole of the mid-mount mower brackets or front bracket spacers (7). (see Figure 7)

16. Take the left front bracket (9) and position it against the front bracket sleeves (8). Ensure the cab mounting plate is towards the rear and outside. Loosely bolt the bracket, through the sleeves and spacer(7)/mid-mount mower

subframe, to the engine housing using the 12x75x1.75mm hex bolts, and 1/2" lockwashers provided. (see Figure 7)

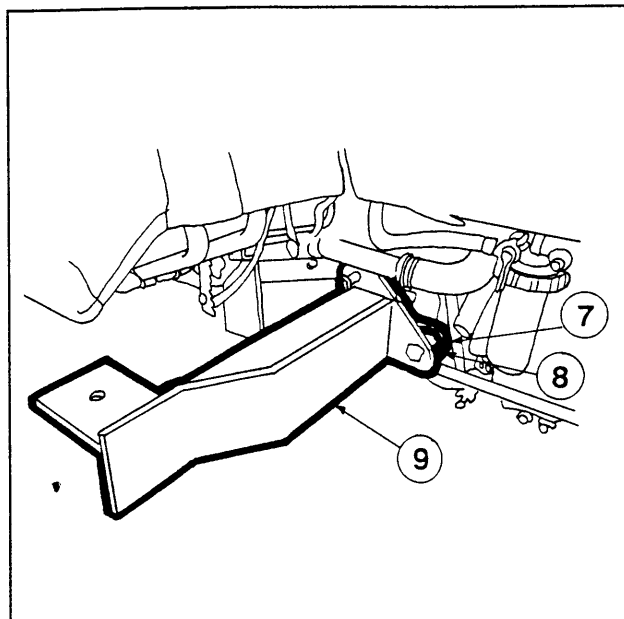


Figure 7

17. Repeat step 16 for the right front bracket and skip to step 21.

**Tractors equipped with a  
LA301/LA351 Kubota loader**

18. Locate the left wing of the loader subframe. Drill two 9/16"dia. holes as indicated in Figure 8.

19. Take the left, front bracket (10) and position it against the two-hole bolt pattern drilled in step 18, with the cab mounting plate towards the rear and outside. Loosely bolt the bracket, through the loader subframe, to the front bracket supports (11) using the 1/2"x2" hex bolts, hex nuts, flatwashers and lockwashers supplied. (see Figure 9)

20. Repeat steps 18 and 19 for

**NOTE:**

All references to left and right are taken from the operator's point of view when he/she is sitting in the seat.

# B1700, B2100, B2400 KUBOTA MOUNTING INSTRUCTIONS

the right front bracket.

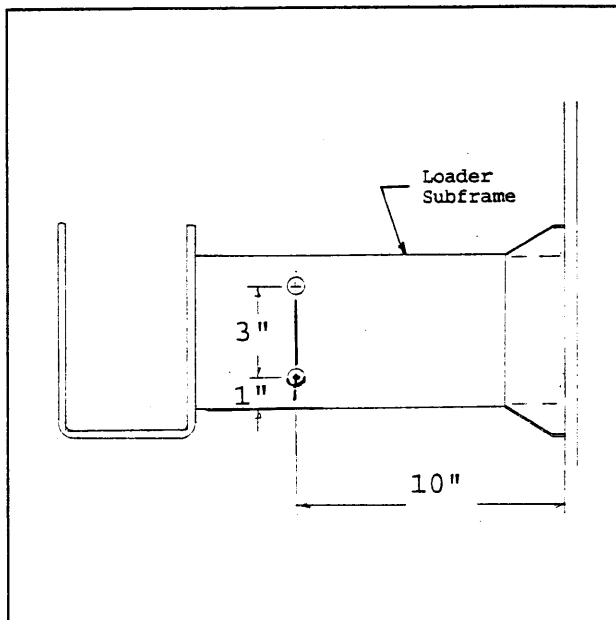


Figure 8

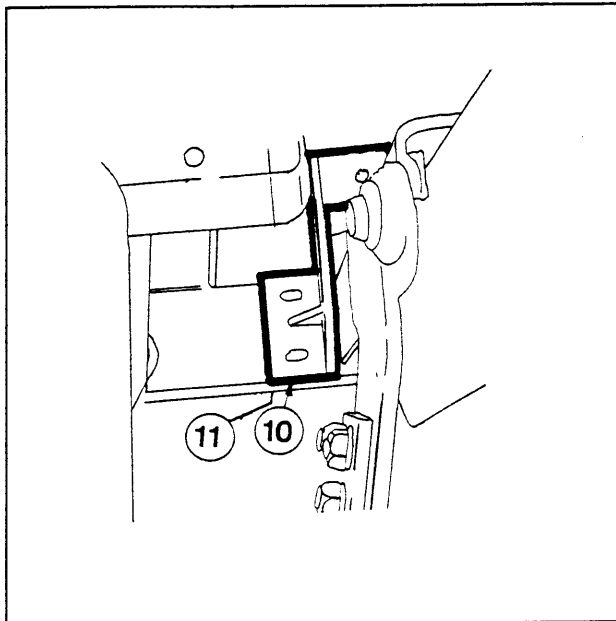


Figure 9

21. **NOW YOU ARE READY TO MOUNT THE CAB.** Place one rubber mount on each cab mounting plate of the front and rear brackets. Lift the cab, using the lift bolts located near the roof, directly above the unit. Slowly, lower the cab until the

cab mounts rest solidly on the rubber mounts. Bolt the cab snugly to the front and rear brackets as shown in Figure 10.

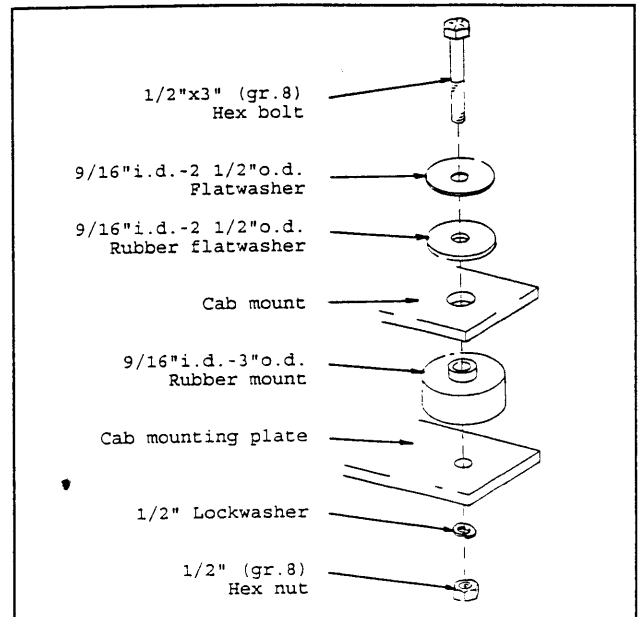


Figure 10

22. Tighten the front and rear bracket bolts.

23. Locate the seat plate upholstery installed in step 3. Position it against the rear tractor panel, between the fenders. Trim to fit, then glue it to the panel. (see Figure 1)

24. Take the hood shield (12) and slide 180 degree O-rubber (6) onto the inside edge where it contacts the hood. Position the shield around the hood and screw it to the outside of the cab using the 1/4"x3/4" self-tap screws provided. (see Figure 11)

25. Take the 27"x40 1/2" piece of floormat (13) and position against the top of the operator foot platform. Cut the floormat to fit snugly around

**NOTE:**

All references to left and right are taken from the operator's point of view when he/she is sitting in the seat.

# B1700, B2100, B2400 KUBOTA MOUNTING INSTRUCTIONS

all controls and pedals.  
(see Figure 12)

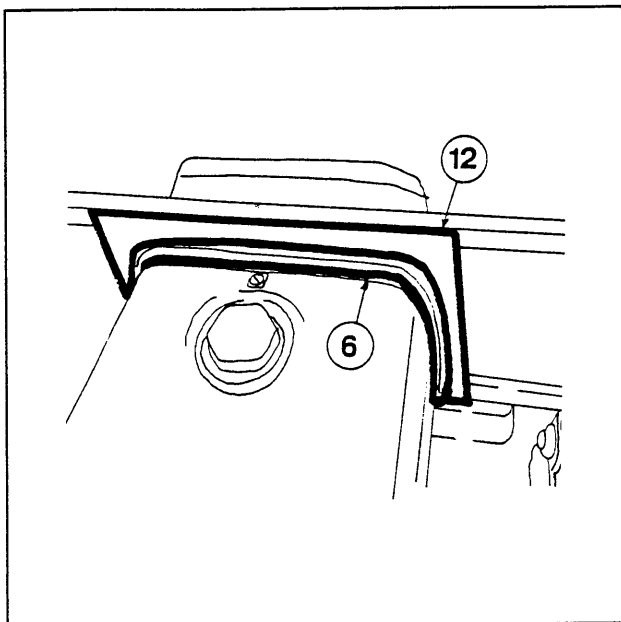


Figure 11

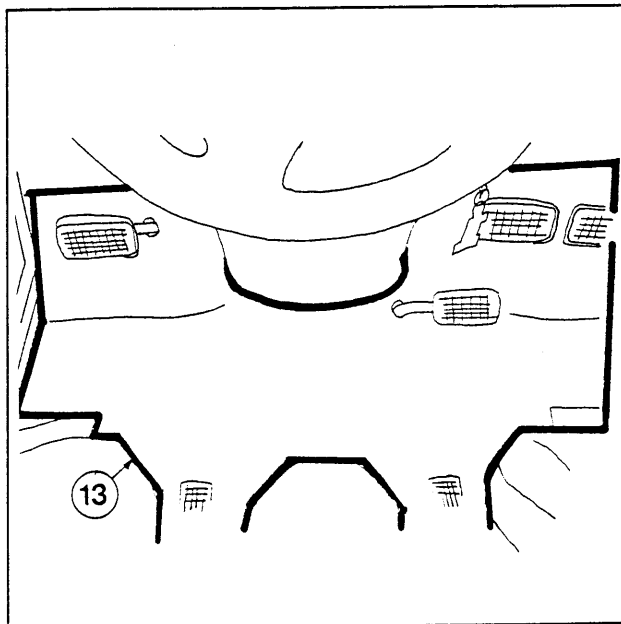


Figure 12

26. If your tractor is not equipped with a LA301/LA351 Kubota loader skip to step 28, otherwise proceed to step 27.

27. Rebolt the loader valve to the subframe. Take the

hydraulic control boxing (14) and position it over the loader valve against the inside of the cab frame. Screw the shield to the frame using the 1/4"x3/4" self-tap screws supplied. Reattach the quick-attach loader. (see Figure 13)

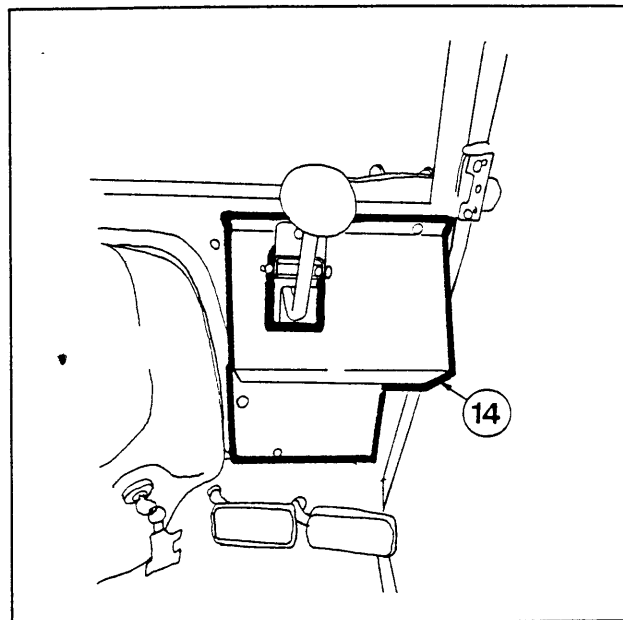


Figure 13

28. To ensure maximum protection against sound and moisture penetration, use a urethane sealant to fill all cracks and small openings around the floormat and a silicone sealant around the various shields.

## NOTE:

All references to left and right are taken from the operator's point of view when he/she is sitting in the seat.

**B1700, B2100, B2400 KUBOTA  
HEATER CONNECTION PARTS LIST**

**HARDWARE:**

Item	Qty	Description
3	1	3/8"NPT-3/8"barb 90 degree Fitting
2	1	3/8"NPT-3/8"barb 180 degree Fitting
1	1	1/2"NPT-3/8"NPT Bushings
**	4	MH-6 Hose clamps
**	2	HS-20 Hose clamps

**MISCELLANEOUS:**

Item	Qty	Description
**	1	25' 3/8"i.d. Heater hose
4	1	1 1/8"o.d. Splicer

# B1700, B2100, B2400 KUBOTA HEATER CONNECTION INSTRUCTIONS

1. Proceed with the following **AFTER** the cab has been mounted.
2. Drain the antifreeze in the unit.
3. Remove the two 5/16"x1 1/2" bolts fastening the roof to the front cab frame. Open the roof, using the roof prop to secure the roof.
4. Locate the pressure port on the right side of the thermostat housing. Remove the housing from the engine. Drill a 9/16"dia. hole through the housing, inside the port, to permit access to the inside of the housing. Tap the port with 1/2"NPT thread. Flush the housing to remove any metal shavings or debris. Take the 1/2"NPT-3/8"NPT bushing (1) and screw it into the housing. Then, screw the 3/8"NPT-3/8"barb 180 degree fitting (2) into the bushing. Reattach the housing to the engine. **REMEMBER** to use a water sealant material around the threads of the bushing and fitting. (see Figure 1)
5. Locate the lower radiator hose on the left side of the engine, near the water pump. Cut the hose where shown. Screw the 3/8"NPT-3/8"barb 90 degree fitting (3) into the splicer (4). **REMEMBER** to use a water sealant material around the threads of the fitting. Connect each end of the splicer to one end of the hose using the HS-20 hose clamps provided. (see Figure 2)
6. Take the 3/8"i.d. heater hose supplied. Route one end down a front corner post of the cab frame, to the pressure fitting

(2). Connect the hose to the fitting, using the MH-6 hose clamp provided. Tie down the hose as required to ensure it does not interfere with any controls, levers, or accessories of the unit.

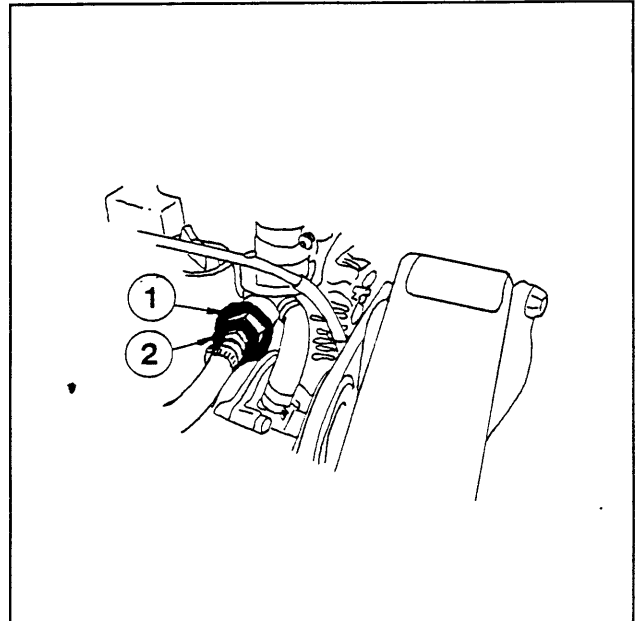


Figure 1

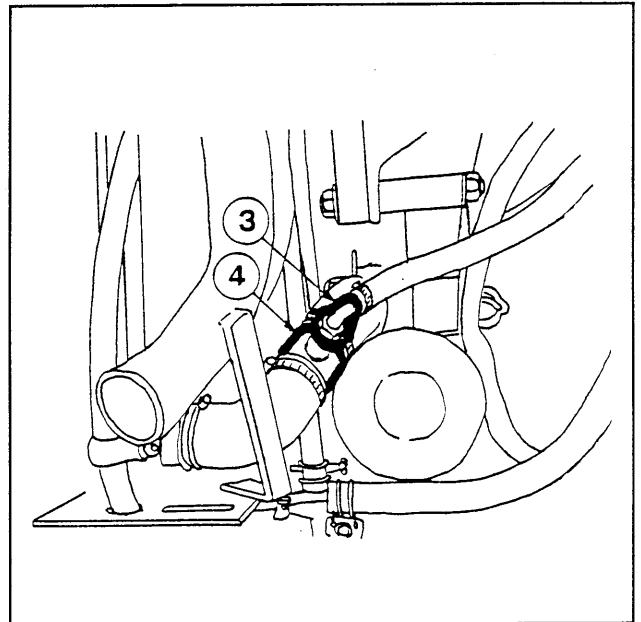


Figure 2

7. Take the other end of the hose. Measure off the distance

## NOTE:

All references to left and right will be taken from the operator's point of view when he/she is sitting in the seat.

## B1700, B2100, B2400 KUBOTA HEATER CONNECTION INSTRUCTIONS

- to the water valve in the roof and cut the hose (allow for some excess). Connect the hose to the valve, using the MH-6 hose clamp supplied.
13. Rebolt the roof to the cab frame.
8. Take the remaining heater hose and route one end down the other front corner of the cab frame, to the suction fitting (3). Connect the hose to the fitting, using the MH-6 hose clamp provided. Tie down the hose as required to ensure it does not interfere with any controls, levers, or accessories of the unit.
  9. Take the other end of the hose. Measure off the distance to the heater core port in the roof and cut the hose (allow for some excess). Connect the hose to the port, using the MH-6 hose clamp provided.
  10. Ensure all connections are tight, lower the roof, and fill antifreeze.
  11. Open the water valve approximately halfway, using the rotary control cable in the switchplate of the cab, and turn on the fan. Start the unit and run at PTO rpm for 5 minutes. Once the heater begins to heat, open the water valve completely. Stop the unit, check for leaks and add antifreeze as required.
  12. Start the unit again and drive at PTO rpm for a few minutes to remove any air trapped in the heater hose. Stop the unit again, check the antifreeze and add as required. If the heater still does not heat, your unit will probably require an auxiliary water pump to help in water circulation.

**NOTE:**

All references to left and right will be taken from the operator's point of view when he/she is sitting in the seat.