

JODALE-PERRY

MOUNTING INSTRUCTIONS

MODEL: M 7030 & M 8030 DT KUBOTA MK.V

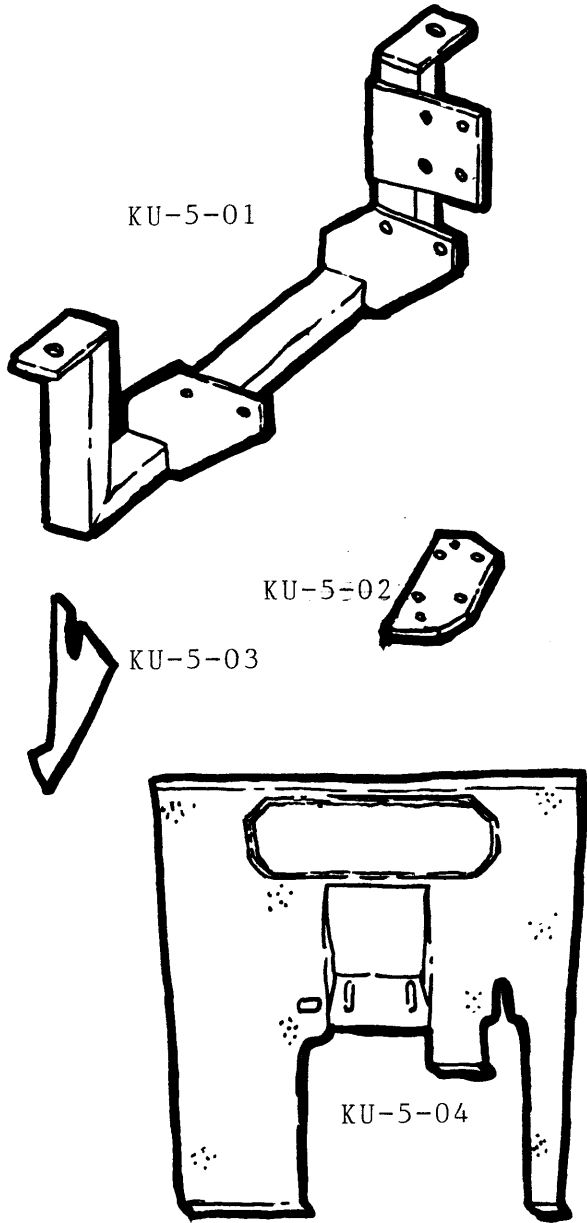
CODE: KU-5

WITH 730 & 830 KUBOTA LOADER

INCLUDES:
MOUNTING INSTRUCTIONS
PARTS LIST

JDP
BUILT FOR LIFE

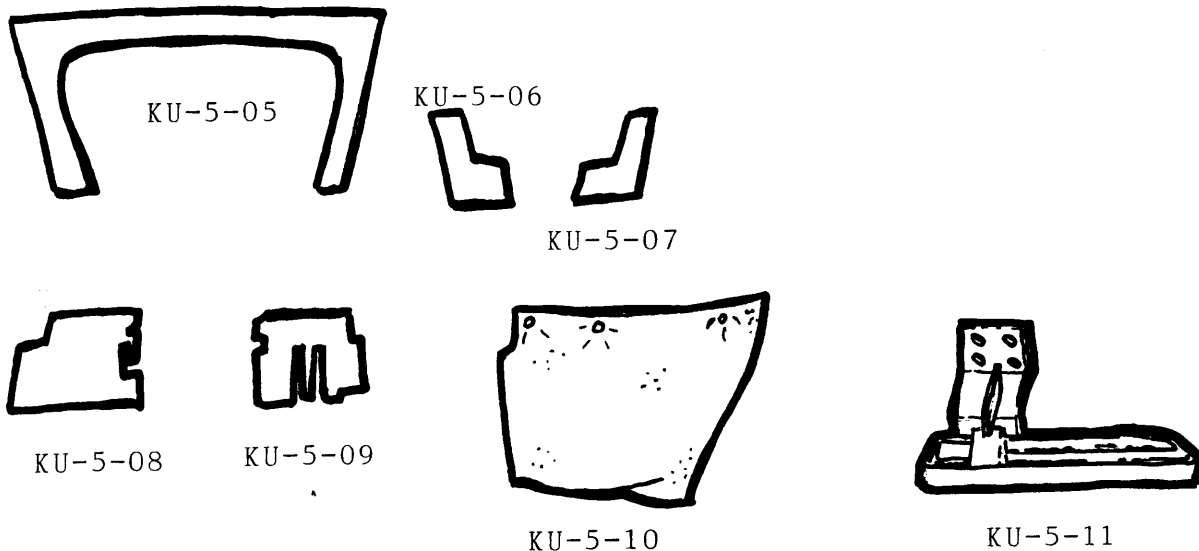
- KU-5-01 FRONT MOUNTING BRACKETS
- KU-5-02 REAR MOUNTING BRACKETS (L&R)
- KU-5-03 SHIFTER SHIELD
- KU-5-04 REAR SHIELD
- KU-5-05 HOOD SHIELD
- KU-5-06 LEFT UNDERHOOD SHIELD
- KU-5-07 RIGHT UNDERHOOD SHIELD
- KU-5-08 CLUTCH SHIELD
- KU-5-09 BRAKE SHIELD
- KU-5-10 CENTRE UNDERHOOD SHIELD
- KU-5-11 STEP



BOLT LIST:

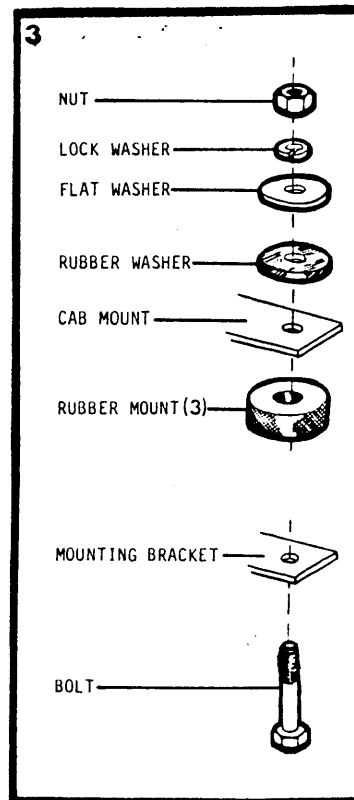
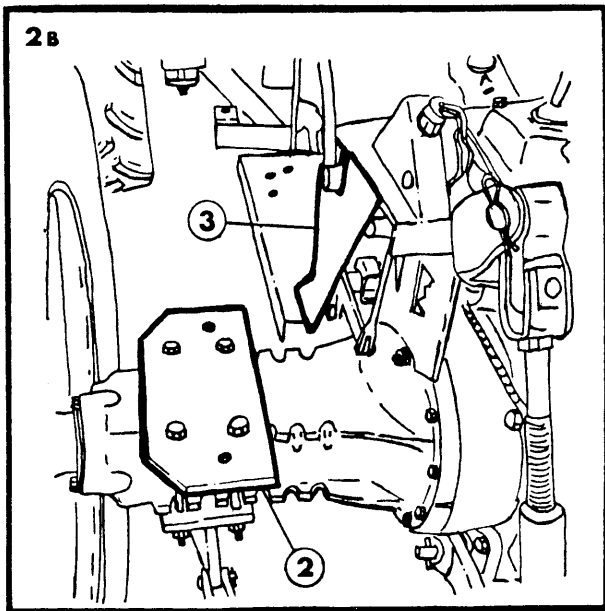
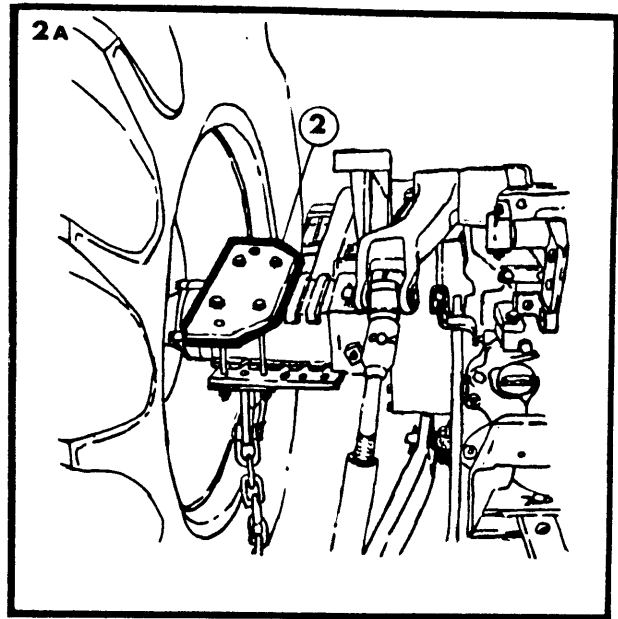
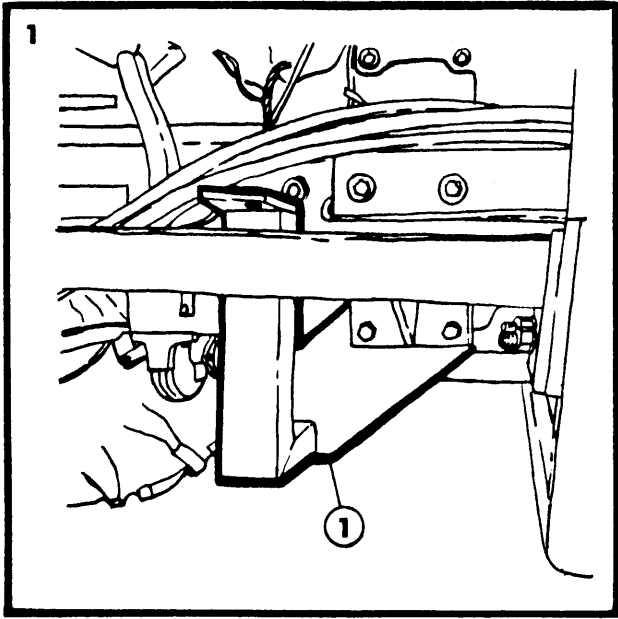
- 4 18mmx1.5x40mm BOLTS
- 6 1/2"x3" BOLTS, NUTS, WASHERS
- 6 RUBBER MOUNTS
- 6 1/2" FLAT WASHERS
- 48 1/4"x20x3/4" DRILL & TAP SCREWS
- 18 1/4"x3/4" BOLTS, NUTS, WASHERS
- 18 1/4" FLAT WASHERS
- 10 #8x1/2" METAL SCREWS
- 10 3/16" FLAT WASHERS
- 4 - 3/8 x 3/4 WHIZ BOLTS

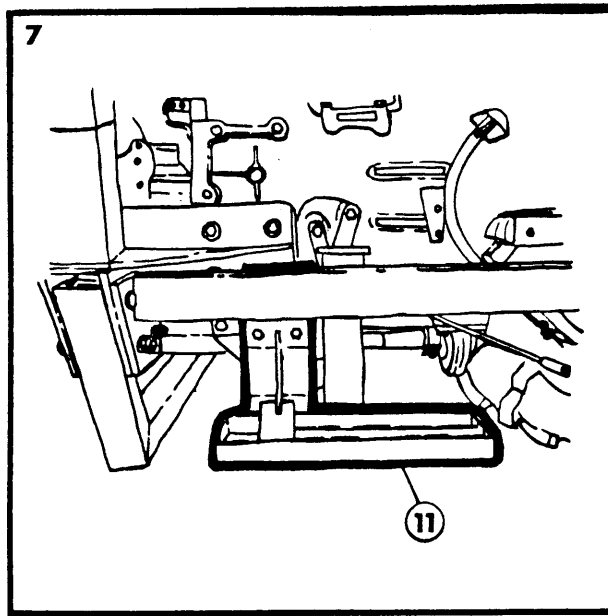
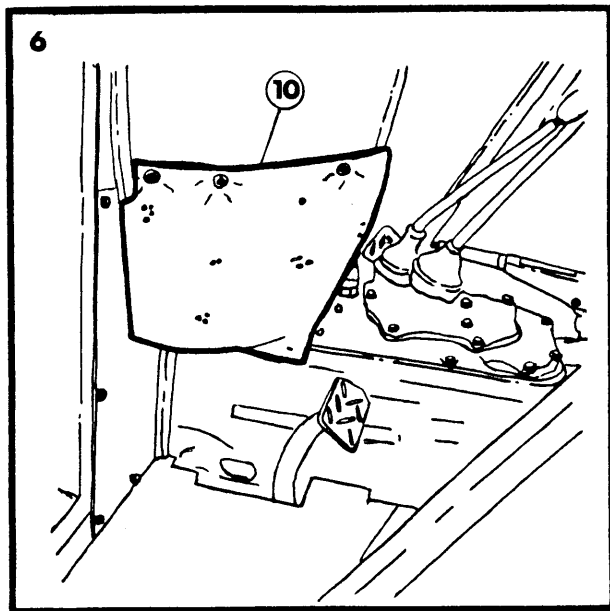
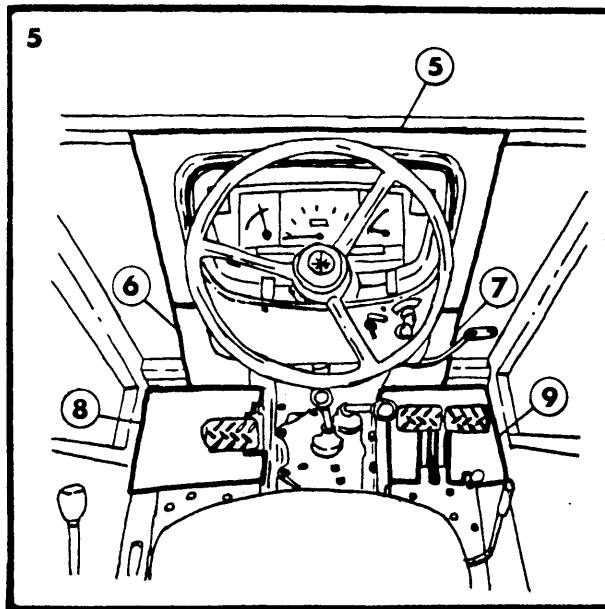
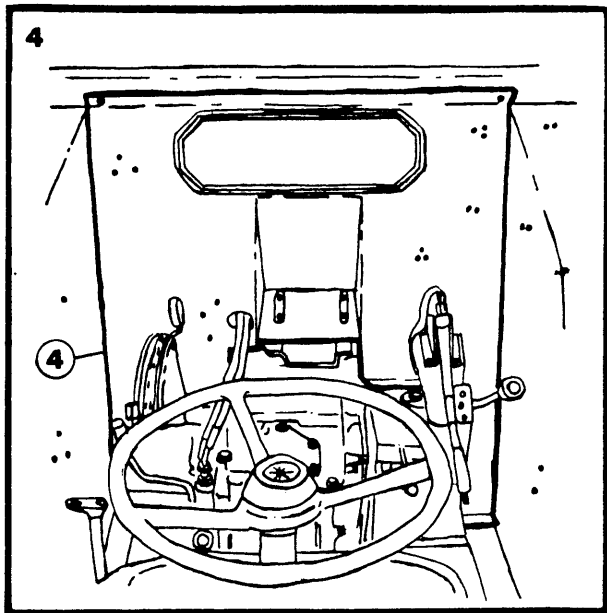
- 2 13 1/4"x33 1/2" FLOORMATS
- 104" O-RUBBER
- 4 5/8"x1 1/2" BOLTS, NUTS, WASHERS



1. REMOVE THE ROLL BAR, FENDERS AND SEAT
2. (SEE DRAWING #1) BOLT THE FRONT MOUNTING BRACKET (1) TO THE SIDE OF THE TRACTOR.
3. (SEE DRAWING #2A & #2B) BOLT THE LEFT AND RIGHT REAR MOUNTING BRACKETS (2) TO THE AXLE. POSITION SHIELD (3) AND SCREW INTO PLACE BEFORE MOUNTING THE CAB.
4. MOUNT THE CAB, ASSEMBLING THE MOUNTS AS SHOWN IN DRAWING #3.
5. (SEE DRAWING #4) POSITION REAR SHIELD (4) AND SCREW INTO PLACE.
6. (SEE DRAWING #5) PLACE O-RUBBER ON THE HOOD SHIELD (5) AND SCREW IT TO THE INSIDE OF THE CAB. PLACE O-RUBBER ON THE LEFT UNDERHOOD SHIELD (6) AND THE RIGHT UNDERHOOD SHIELD (7) AND SCREW INTO PLACE.
7. (SEE DRAWING #5) POSITION CLUTCH SHIELD (8) AND THE BRAKE SHIELD (9) AND SCREW INTO PLACE.
8. (SEE DRAWING #6) POSITION CENTRE UNDERHOOD SHIELD (10) AND SCREW IT TO THE LOWER DASH BOARD.
9. REPLACE THE SEAT.
10. (SEE DRAWING #7) BOLT THE STEP (11) TO THE CAB FRAME UNDER THE FRONT MOUNTING BRACKET.
11. CUT THE FLOORMAT TO FIT SNUGGLY AROUND ALL OPENINGS.
12. CONNECT THE ELECTRICAL EQUIPMENT TO A 12 VOLT SOURCE, USING THE 30 AMP. INLINE FUSE.

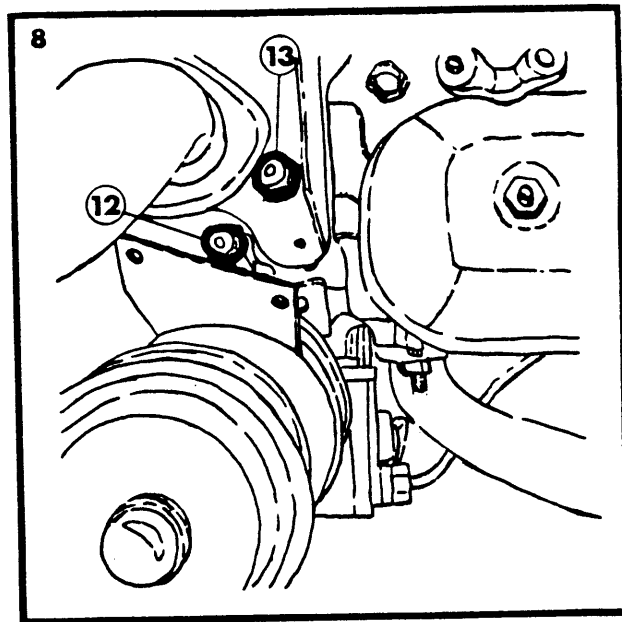
PLEASE NOTE: THERE IS NO WARRANTY ON GLASS.
WE ARE NOT RESPONSIBLE FOR INJURY TO ANYONE
BY OUR PRODUCT OR ANY PART THEREOF.





PARTS LIST:

- 2 3/8"MPTx5/8"BARB FITTING
- 4 HS-10 HOSE CLAMPS
- 25' 5/8" HEATER HOSE



1. DRAIN ANTI-FREEZE.
2. REMOVE PLUGS (12) & (13). (SEE DRAWING #8)
3. INSTALL 3/8"MPTx5/8"BARB FITTING INTO (12) & (13).
4. CONNECT HEATER HOSE TO SUCTION (12), ROUTE UP LEFT CAB FRAME AND CONNECT TO WATER VALVE.
5. CONNECT HEATER HOSE TO PRESSURE (13), ROUTE UP LEFT CAB FRAME AND CONNECT TO HEATER COIL.
6. FILL IN ANTI-FREEZE.