

JODALE-PERRY

MOUNTING INSTRUCTIONS

MODEL: MK.VII PLUS KUBOTA 2250 & 2550 WITH KUBOTA BF400
CODE: LOADER
KU-10

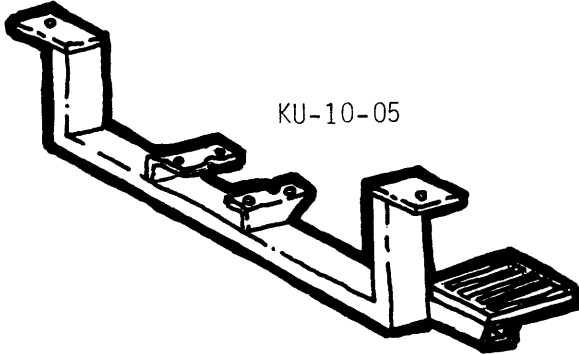
INCLUDES:
MOUNTING INSTRUCTIONS
PARTS LIST

JDP
BUILT FOR LIFE



KU-10-04

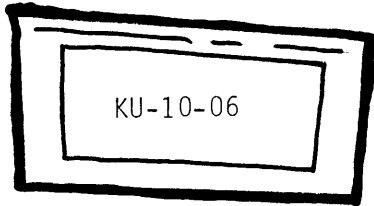
- KU-10-04 REAR BRACKETS (L&R)
- KU-10-05 FRONT MOUNTING BRACKET
- KU-10-06 REAR SHIELD
- KU-10-08 HOOD SHIELD
- KU-10-09 LEFT UNDERHOOD SHIELD
- KU-10-10 RIGHT UNDERHOOD SHIELD
- KU-10-11 CLUTCH SHIELD
- KU-10-12 BRAKE SHIELD
- KU-10-13 LOADER CONTROL BOX



KU-10-05

BOLT LIST:

- 4 12mm x 1.25 x 25mm BOLTS, WASHERS
 - 8 14mm x 1.5 x 35mm BOLTS, WASHERS
 - 4 1/2" x 3" BOLTS, NUTS, WASHERS
 - 4 2 1/2" FLAT WASHERS
 - 4 RUBBER MOUNTS
 - 18 1/4" x 3/4" BOLTS, NUTS, WASHERS
 - 54 1/4" x 20 x 3/4" DRILL & TAP SCREWS
 - 9 1/4" FLAT WASHERS
-

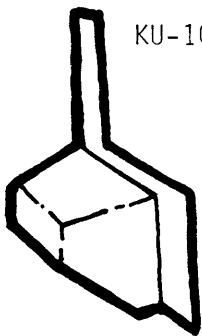


KU-10-06

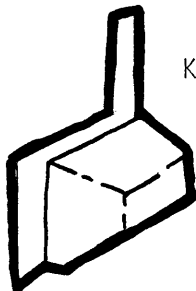
- 1 26" x 28 1/2" x 1/2" VINYL
- 2 15 1/2" x 32" FLOORMATS
- 1 10' O-RUBBER



KU-10-08



KU-10-09



KU-10-10

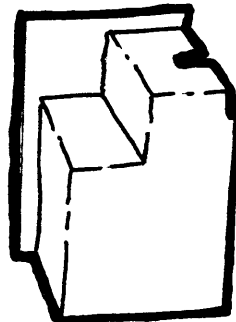
KU-10-11



KU-10-12



KU-10-13



1. REMOVE THE FENDERS, SEAT, AND THE TOP SHIELD BEHIND THE SEAT. IF THE WHEELS ARE SET IN, THEY MAY HAVE TO BE REMOVED FOR CAB TO FIT BETWEEN WHILE INSTALLING.
2. (SEE DRAWING #1) CUT THE BOLTS (1) ON THE SIDE OF THE SEAT SHIELD.
3. (SEE DRAWING #4) CUT VINYL (2) TO FIT UNDER THE SEAT.
4. (SEE DRAWING #1) BOLT THE REAR BRACKETS (4) TO THE REAR OF THE AXLE.
5. (SEE DRAWING #2) BOLT FRONT MOUNT (5) UNDER THE TRACTOR.
6. PLACE THE RUBBER MOUNTS (3) ON THE MOUNTING BRACKETS, MOUNT THE CAB ASSEMBLING THE RUBBER MOUNTS AS IN DRAWING #3.
7. (SEE DRAWING #4) POSITION REAR SHIELD (6) AND SCREW IT TO THE INSIDE OF THE CAB. LIFT THE 3PT. ALL THE WAY, POSITION 3PT. CONTROL GUIDE (7), DRILL TWO HOLES THROUGH THE SIDE OF THE CAB AND BOLT ON THE GUIDE. REPLACE THE SEAT.
8. (SEE DRAWING #5) PLACE O-RUBBER ON THE HOOD SHIELD (8). POSITION THE HOOD SHIELD AND SCREW IT TO THE OUTSIDE OF THE CAB.
9. (SEE DRAWING #5) PLACE O-RUBBER ON THE LEFT UNDERHOOD SHIELD (9) WHERE IT CONTACTS THE TRACTOR. POSITION IT ON THE OUTSIDE AND SCREW IT TO THE CAB.
10. (SEE DRAWING #6) PLACE O-RUBBER ON THE RIGHT UNDERHOOD SHIELD (10) WHERE IT CONTACTS THE TRACTOR. POSITION IT ON THE OUTSIDE AND SCREW IT TO THE CAB.
11. (SEE DRAWING #7) POSITION THE CLUTCH SHIELD (11) AND THE BRAKE SHIELD (12) AND SCREW THEM TO THE FLOOR PLATE.
12. (SEE DRAWING #8) IN THE CASE OF A KUBOTA LOADER, REMOVE THE RIGHT FRONT WINDOW. PLACE O-RUBBER ON THE LOADER CONTROL BOX (13) WHERE IT CONTACTS THE SIDE WINDOW AND THE CAB FRAME AND SCREW IT INTO PLACE.
13. CUT THE FLOORMAT TO FIT SNUGGLY AROUND ALL OPENINGS, TAKING CARE TO MAKE A FLAP ON THE RIGHT SIDE AT THE FUEL FILTER AND THE SHUT-OFF VALVE.
14. CONNECT THE ELECTRICAL EQUIPMENT TO A 12 VOLT SOURCE USING THE 30 AMP. IN-LINE FUSE.

PLEASE NOTE: THERE IS NO WARRANTY ON GLASS.
WE ARE NOT RESPONSIBLE FOR INJURY TO ANYONE
BY OUR PRODUCT OR ANY PART THEREOF.

